



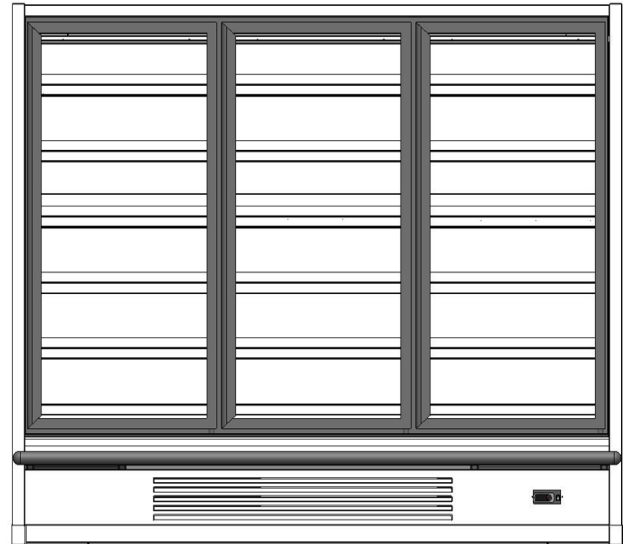
Installation, Operation & Maintenance Manual

Pure Cold Inc.

ICON6

10S7LA1 / 10S7MA1

Reach-in Self-Contained
Low/ Medium Temperature Display Case



CONFORMS TO UL STD. 471
CONFORMS TO NSF STD. 7

Compliant with DOE2017 Thresholds

Table of Contents

1. General Information	3
2. Introduction.....	4
3. Fixture Cut & Plan Views	5
4. Installation	7
5. Change Swing of Doors	24
6. Dollar Tree Signage (for DT only)	30
7. Electrical & Controller Data	32
8. Electrical Wiring Diagrams	35
9. Refrigeration & Controller Data	38
10. User Information	42
11. Case Maintenance	44
12. Future Sales	43
13. Appendices	

General Information

Pure Cold Icon Reach-in Self-Contained Low/ Medium Temperature Display Case

A Publication by Purecold Inc

70 West Madison Street, Suite 5750, Chicago, Illinois, 60602 Tel: +1-888-881-2653

Web: www.purecoldusa.com

Support in the United States by

Professional HVAC/R Services, Inc.

(440)-308-8950

Web: www.prohvacr.com

This Manual Contains Information on:

10S7LA1 /10S7MA1:

It is intended for the display and storage of packaged product foods only. It is a Type 1 Display refrigerator that conforms to ANSI/NSF 7 and UL471 standards. It is intended for use in an area where the environmental conditions are controlled and maintained such that they do not exceed 75oF and 55% Relative Humidity

Shipping Damage

All equipment should be thoroughly examined for shipping damage before, during and after unloading. The equipment has been carefully inspected at Pure Cold's facilities and the carrier has assumed responsibility for safe arrival. If damaged, claim must be made to the carrier.

Apparent Loss or Damage

If there is an obvious loss or damage, it must be noted on the freight bill or express receipt and signed by the carrier's agent; otherwise, carrier may refuse claim.

Concealed Loss or Damage

When loss or damage is not apparent until after equipment is uncrated, a claim for concealed damage is made. Make request to the carrier for inspection within 15 days and retain all packaging. Where possible on local transport, document any damages on BOL and have truck driver attest before departing the delivery site.

Shortages

Check your shipment for any possible shortages of material. If a shortage should exist and found to be the responsibility of Pure Cold, notify Pure Cold Inc on +1-888-881-2653. Pure Cold will acknowledge shortages within 7 days from receipt of equipment.

Product Quality Control

The case serial number and shipping date of all equipment has been recorded by Pure Cold Inc for warranty and replacement part purposes. All correspondence relating to warranty or parts ordering must include the case serial number in order to provide the customer with the correct parts.

Introduction

This Manual

This booklet is intended for use by owners, end-users, installation, and service technicians of Pure Cold self-contained display cases. The information is provided for the purpose of ensuring the safe and proper use of the equipment. As with all work, it is incumbent upon the owners, end-users, installation, and service technicians to ensure that suitable and sufficient risk assessments are undertaken prior to any work, and that persons are suitably competent to interpret the information provided and undertake such work. A properly qualified EPA Technician shall be the only allowed person to access the refrigeration system to fill out the start up sheet as these are critically charged.

All components should only be replaced with identical ones all of which are available from Pure Cold Inc

All information and diagrams contained within this manual are correct at the time of issue (stated on the cover page).

Pure Cold Inc. reserves the right to change case specifications or information at any time without notice.

Use of Symbols

Throughout this manual symbols are used to help draw attention to important facts, procedures and warnings. These may vary from simple cleaning procedures to safety warnings, which must be adhered to at all times.

No: Indicates an incorrect procedure that should not to be carried out

Yes: Indicates the correct procedure, which should be followed.



Stop: Indicates a sequence of steps, which must be carried out prior to the final procedure.



Important Information: Indicates information on general procedures.



Caution: Indicates a potentially hazardous situation, which if not avoided, may result in minor



or moderate injury or property damage only.



Electrical Shock / Electrocution: Indicates a potential to be electrocuted, which if correct procedures are not adhered to, may result in serious injury and or death.



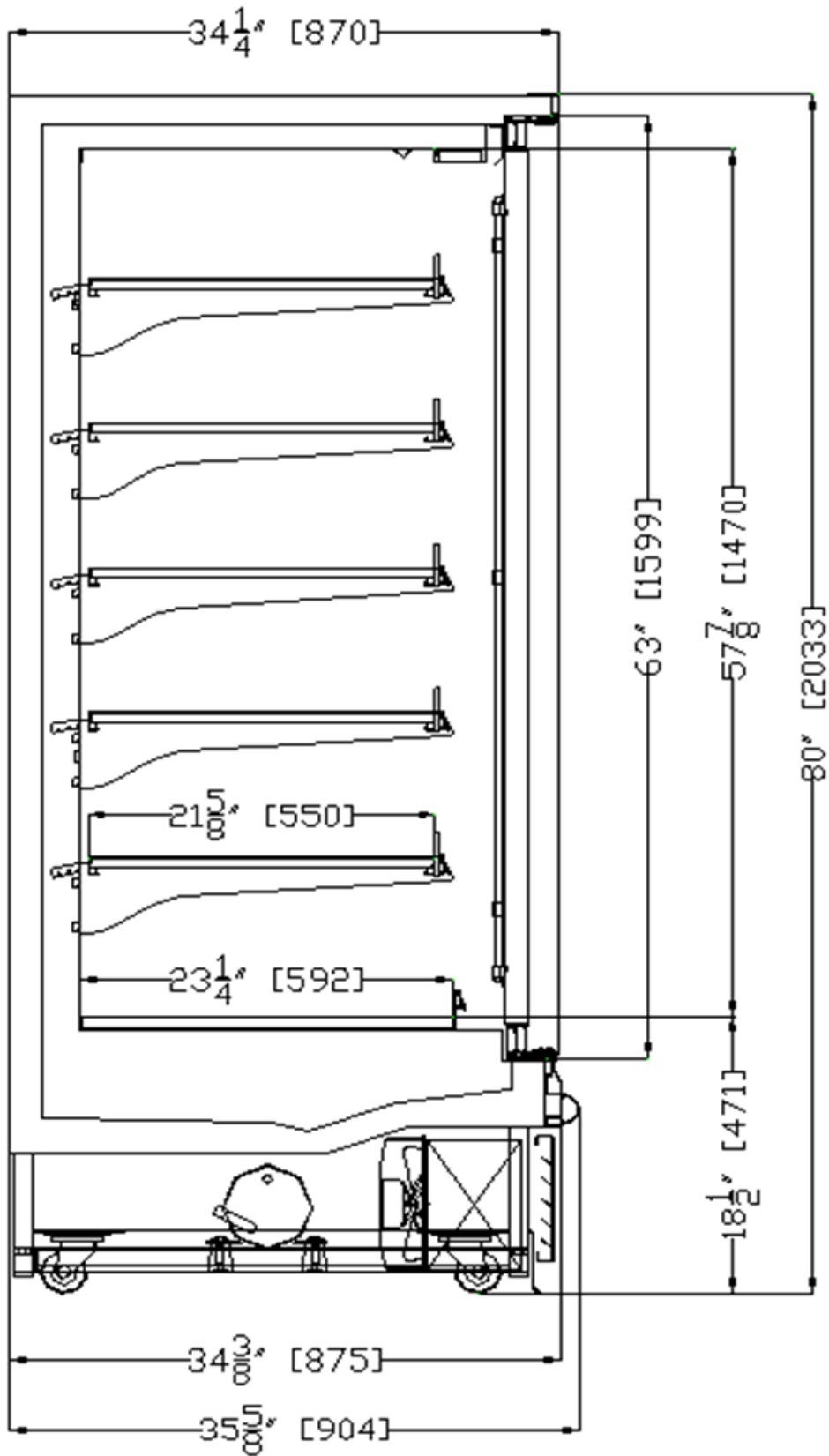
DO NOT CLIMB ON TOP OF PURECOLD FIXTURES.

RISK OF PERSONAL PHYSICAL INJURY

AND DAMAGE TO EQUIPMENT

Fixture Cuts & Plan Views

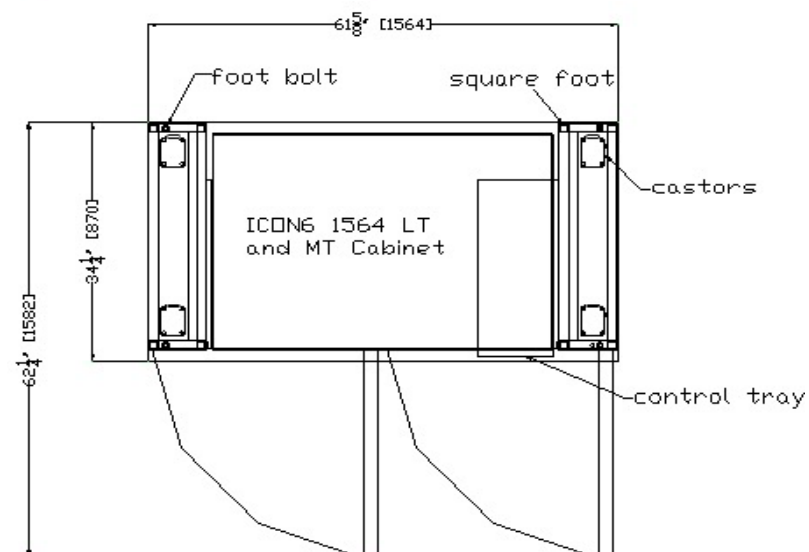
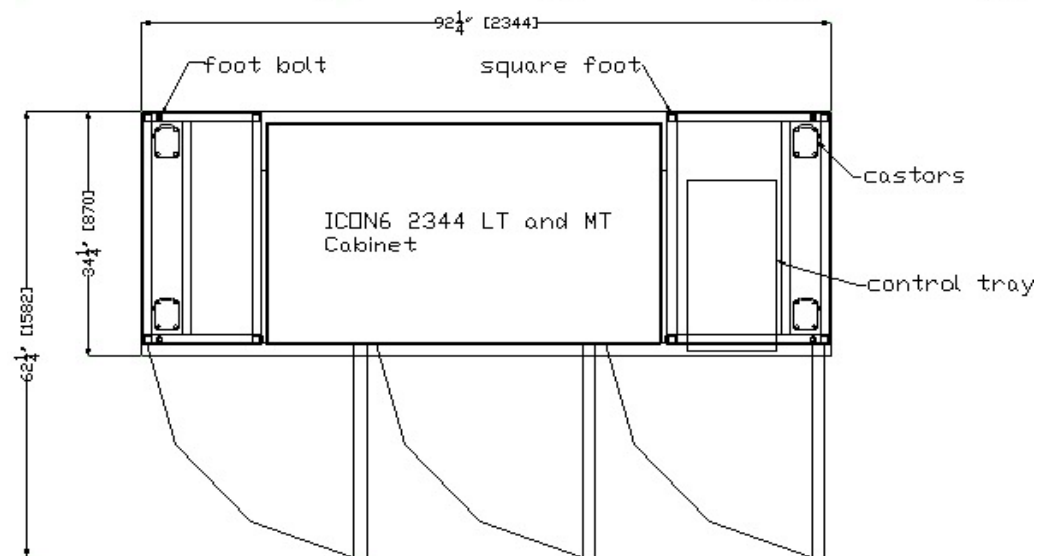
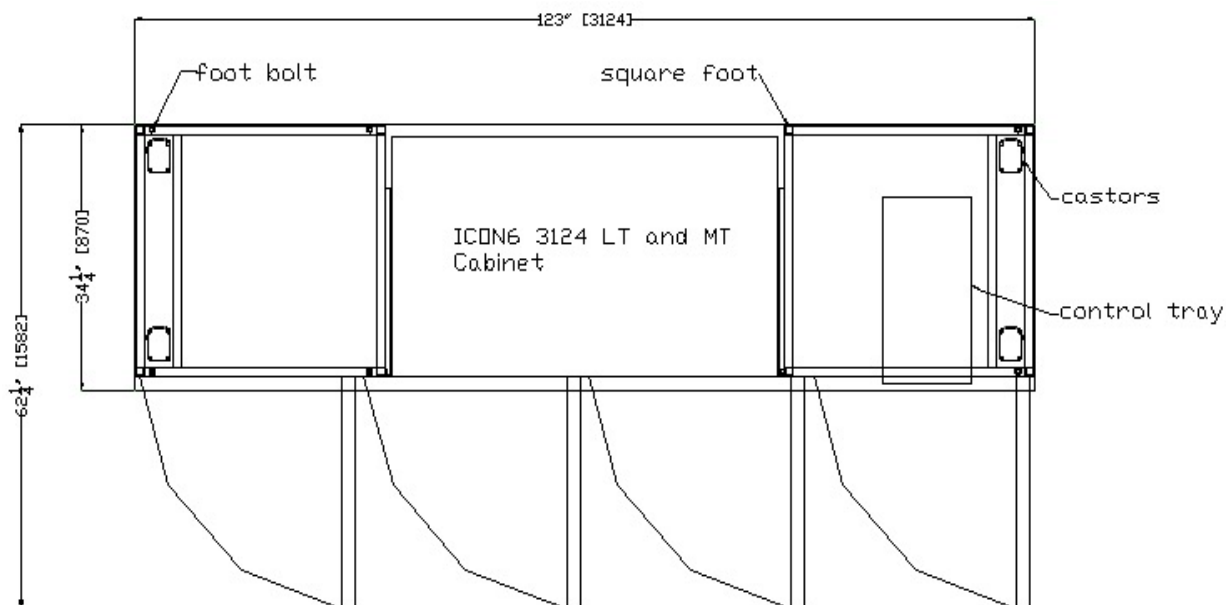
FIXTURE PROFILE



Plan Views

Case Lengths 123" (3124mm), 92 1/4" (2344mm), 61 5/8" (1564mm)

Allow 2" (50mm) per endcap



Installation

Location & Environment



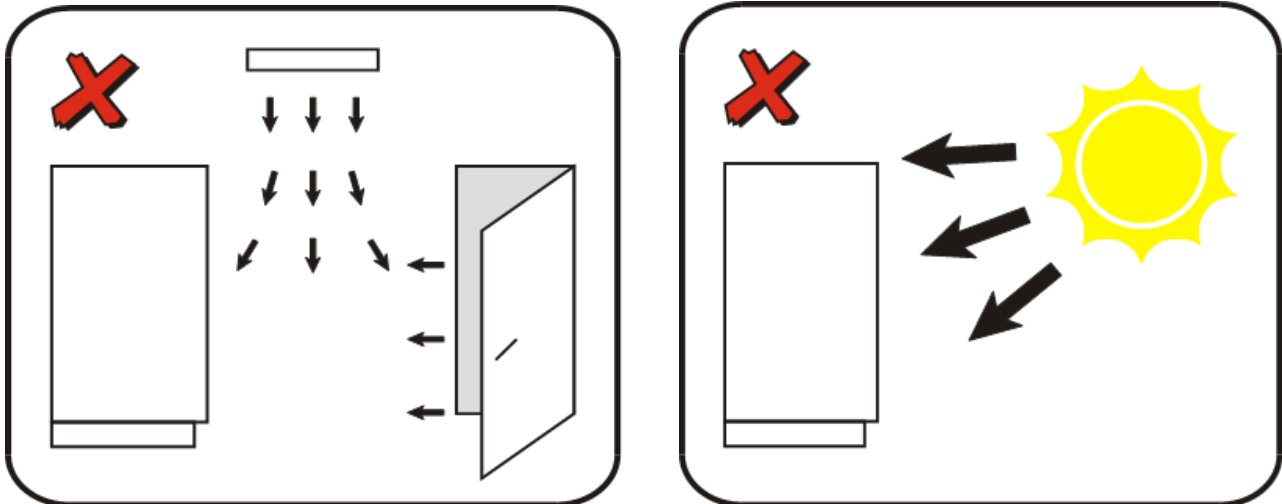
The Icon fixtures have been designed to be operated within the following specifications.

Temperature and humidity are maintained at or below the ANSI / NSF-7 specified level of 75°F and 55% relative humidity. Any heat or air movement in the area should be avoided, as this will affect performance. Merchandisers should not be located within close proximity to ventilation ducts, open doors, direct sunlight, etc.

Icon fixtures have been designed to hold or maintain product temperatures. Only pre-cooled products should be displayed in the Icon.

Please note: ***If the ambient temperature exceeds 75°F, humidity exceeds 55% RH or cross air flow exceeds 0.66 ft. per sec.*** (or any combination of) the fixture may not keep products in the temperature zone required.

Additionally, if the humidity is higher than 60% RH the self- evaporative tray may not manage the amount of water being produced and may overflow.



For California businesses: This product may contain chemicals known to the State of California to cause cancer, birth defects, or other reproductive harm. This warning is the result of the California State law known as the California State Drinking Water and Toxic Enforcement Act of 1986, which is commonly referred to as “Proposition 65.” This warning does not mean that Pure Cold products will cause cancer or reproductive harm, or is in violation of any product-safety standards or requirements. As clarified by the California State government, Proposition 65 can be considered more of a ‘right to know’ law than a pure product safety law. When used as designed, Pure Cold believes that our products are not harmful. We provide the Proposition 65 warning to stay in compliance with California State law. It is your responsibility to provide accurate Proposition 65 warning labels to your customers when necessary. For more information on Proposition 65, please visit the California State government website.

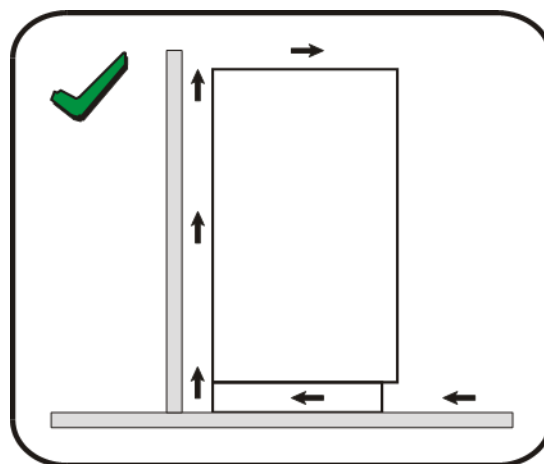
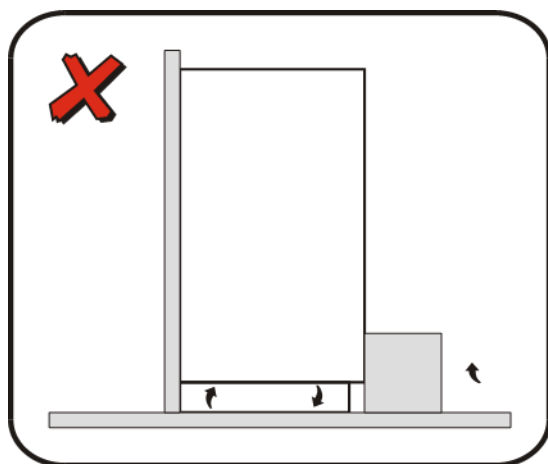
Installation

The fixture must be located in such a manner that air will freely circulate around the evaporative tray and rear of the case to avoid the formation of condensation. A gap of 3" needs to be maintained to the rear of the display case for a heat exhaust vent. The air must then be allowed to freely circulate either over the top of the cabinet into the store, or (if there it is large enough) into the ceiling void.

The finished backs on these cases and oversized end caps ensure adequate air flow spacing.

Icon fixtures are designed to be air or water cooled.

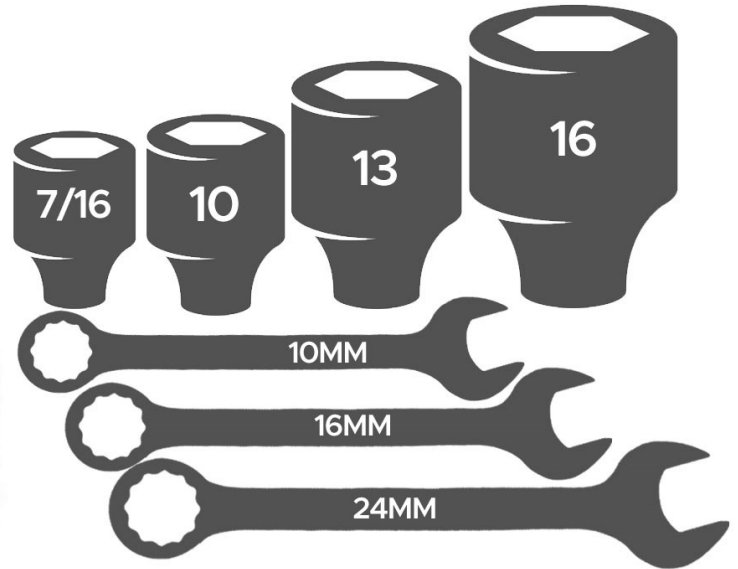
Failure to allow the air to escape may lead to Condensation and water pooling or the fixture tripping out on high pressure.



Ensure that adequate refrigeration, electrical isolation, and circuit protection is incorporated within the final installation as necessary to meet all relevant requirements and match the design criteria of the supply systems.

Installation

TOOLS



Forklift

10mm-13mm-16mm Sockets

10mm-16mm-24mm Wrench

Impact Drill

J-Bar

Construction Knife

Phillips Bits

Hacksaw

Allen Wrench Set (metric)

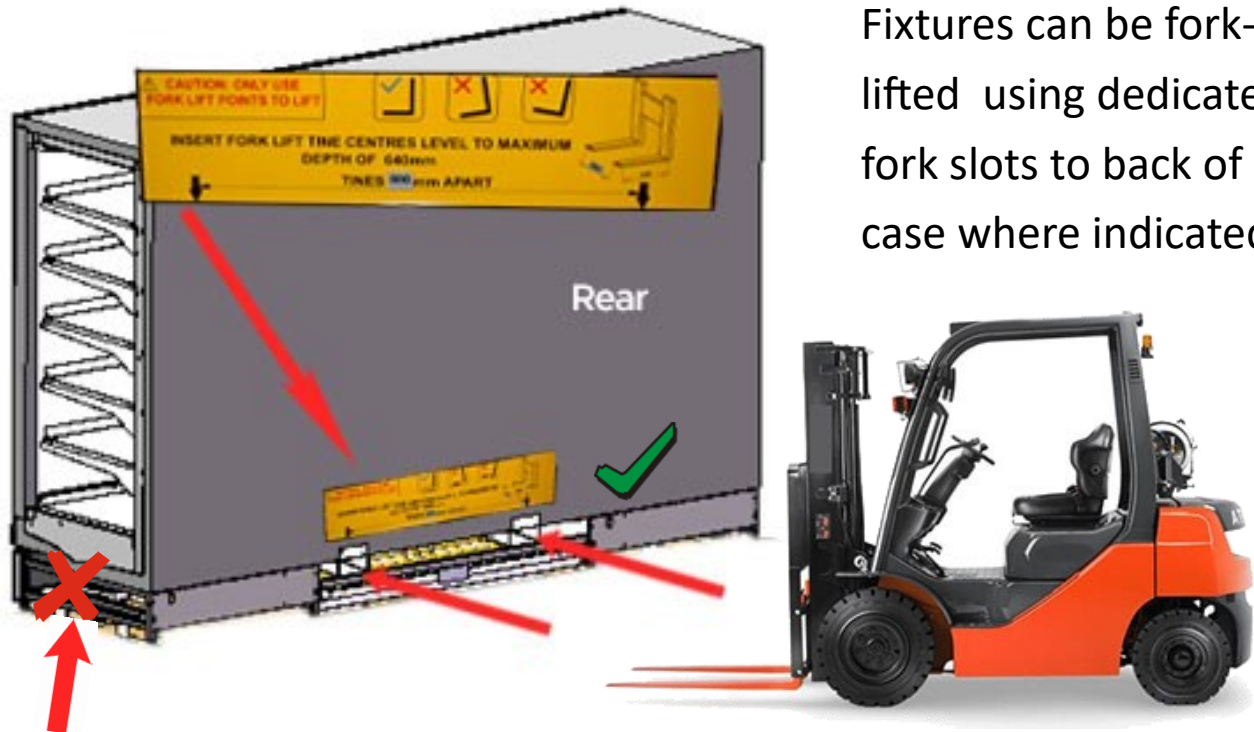
Bubble Spirit Level



Installation


STEP 1


Handling & Transportation



Fixtures can be fork-lifted using dedicated fork slots to back of case where indicated.

NEVER! lift from the refrigeration tray, electrical tray or underside of gable end as this could cause significant damage. Lifting should only be done by pre-determined fork lift slots at rear of case

 Caution lifting from the underside of the cabinet may cause significant damage. Extreme care should be taken to avoid damage to refrigeration and electrical equipment mounted beneath or at the rear of the case. A label affixed to the reverse of the cabinet gives clear lifting instructions

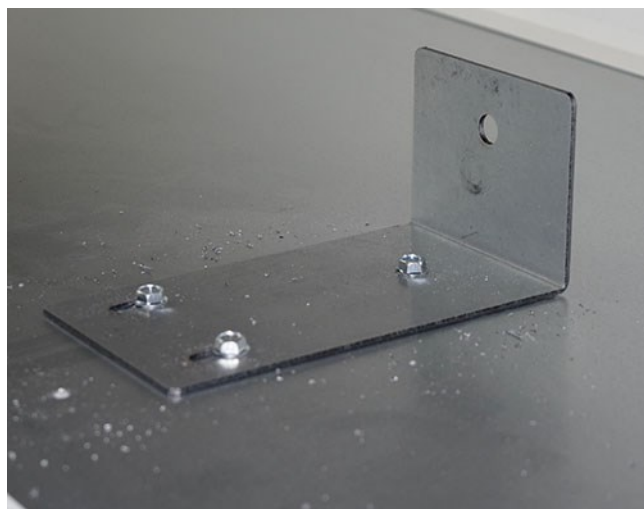
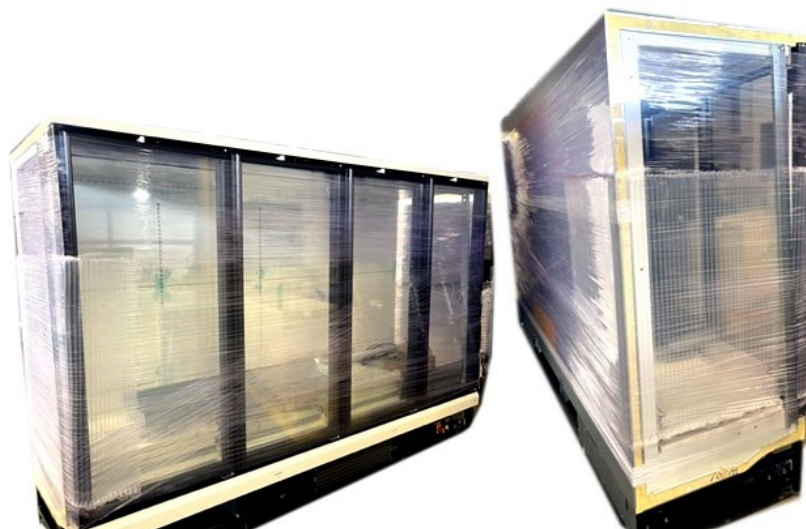
 Once fixture has been located to clear and level surface Case can then be pushed on it's permanently mounted wheels to positioning point on sales

Installation

STEP 2

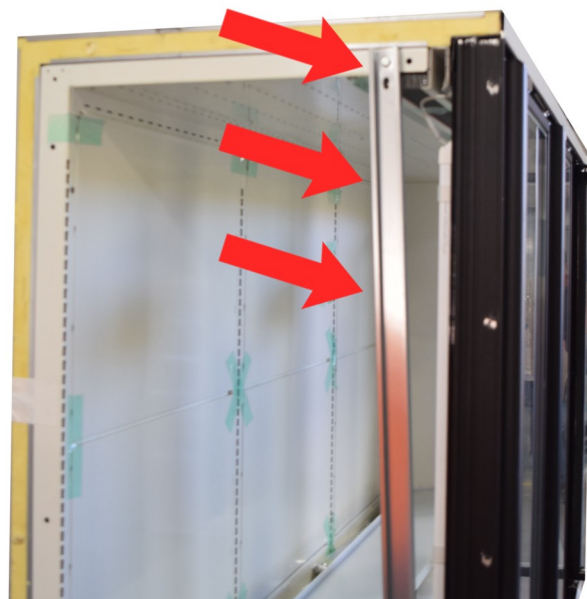
Unpacking

Carefully remove clear wrapping and bubble panels from fixture exterior using knife.



Remove shipping brackets located on top of fixture with 7/16 socket.

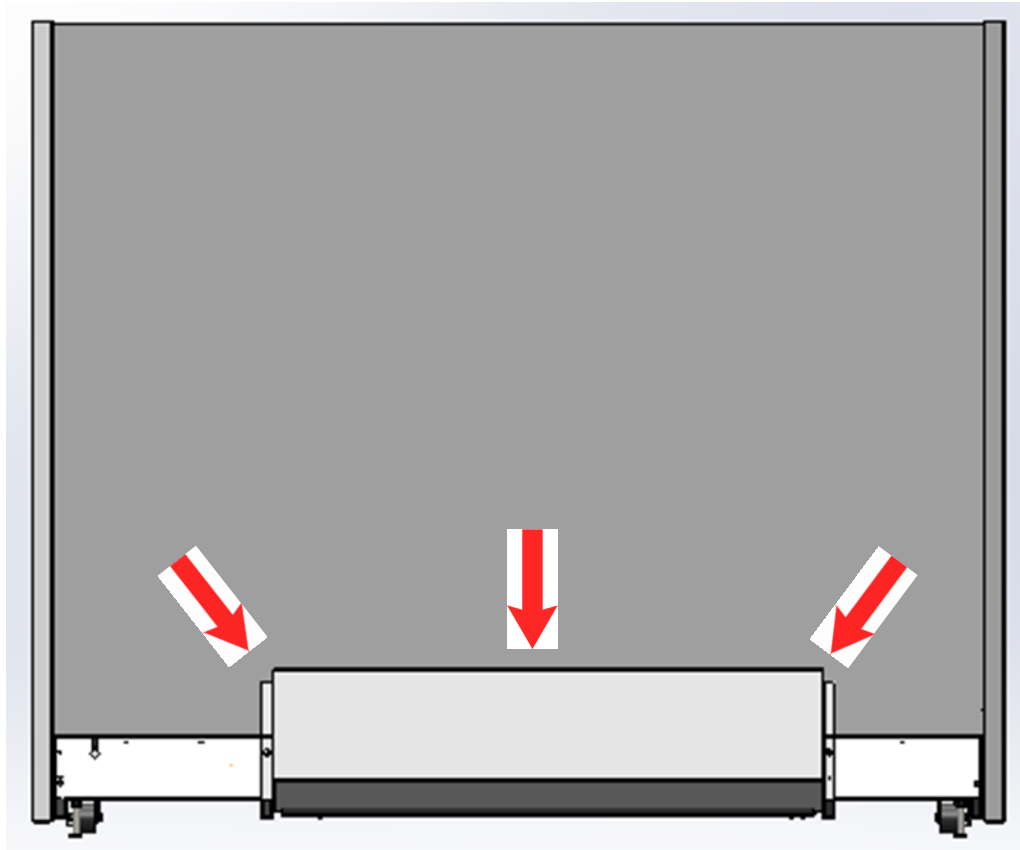
Remove shipping vertical shipping brackets that are located on fixture end openings with 10mm & 13mm sockets.



Installation

STEP 3

Air Guide Plate Attachment



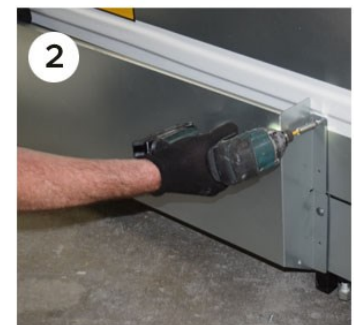
Attach air guide plate is on the rear side of the fixture located at the bottom opening

Locate opening at rear of the fixture and lay AIR GUIDE PLATE on angled bottom with opening side up. Attach (4) Phillips screws with (2) on left and (2) on right. Correct position picture on bottom view #4.



Air Guides help keep the drywall from being affected by cool stagnant air experienced in all Markets that can promote the growth of mold.

Moving air behind fixtures is done as a designed benefit by Pure Cold to ensure that short cycling of discharge air back to the inlet of the condensers is a non-issue vs. experiences with most under cabinet condensing units that discharge to a wall and the hot air is not moved away.



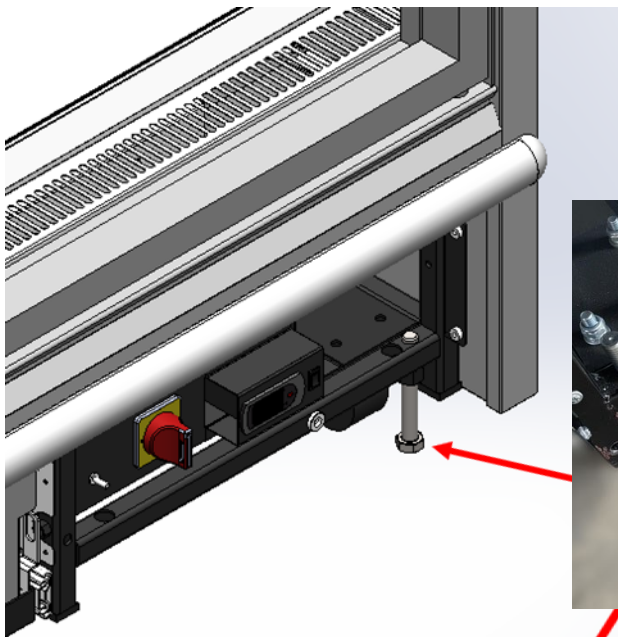
Installation

STEP 4

Fixture Leveling

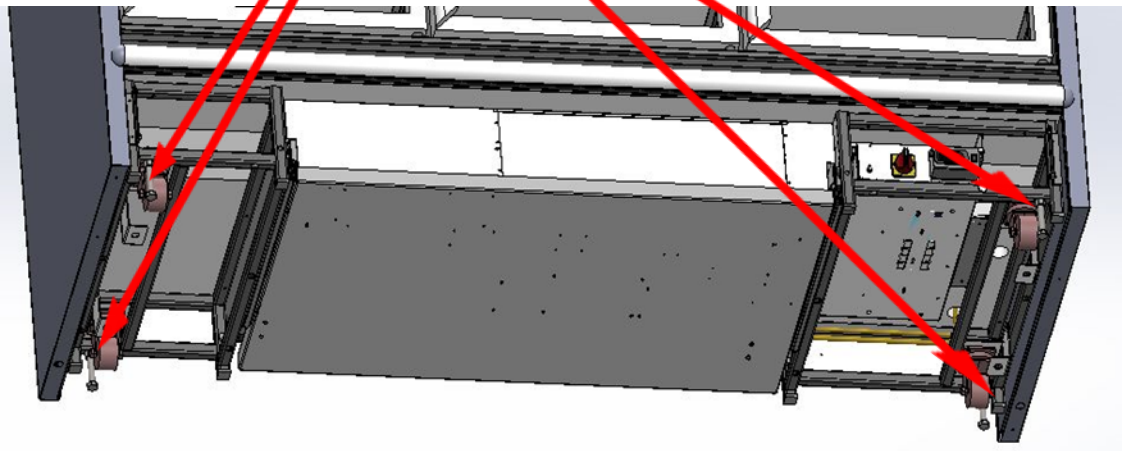
Fixtures are fitted with permanent castors for pushing fixtures into final position. Leveling Bolts should be wound down upon final positioning of fixture with 24mm open end wrench

Prior to placing fixtures position placement to wall, locate threaded leveling bolts along the bottom rear of the case. Finger wind the leveling bolts downward to the floor as close as possible. Once a rear feet have been deployed, position case into final position. (If multi fixture line-up, always start with endcap).



Continue to front of case and wind down both front leveling bolts. Adjust all leveling bolts (front and rear) to level case using a bubble spirit level and 24MM open wrench.

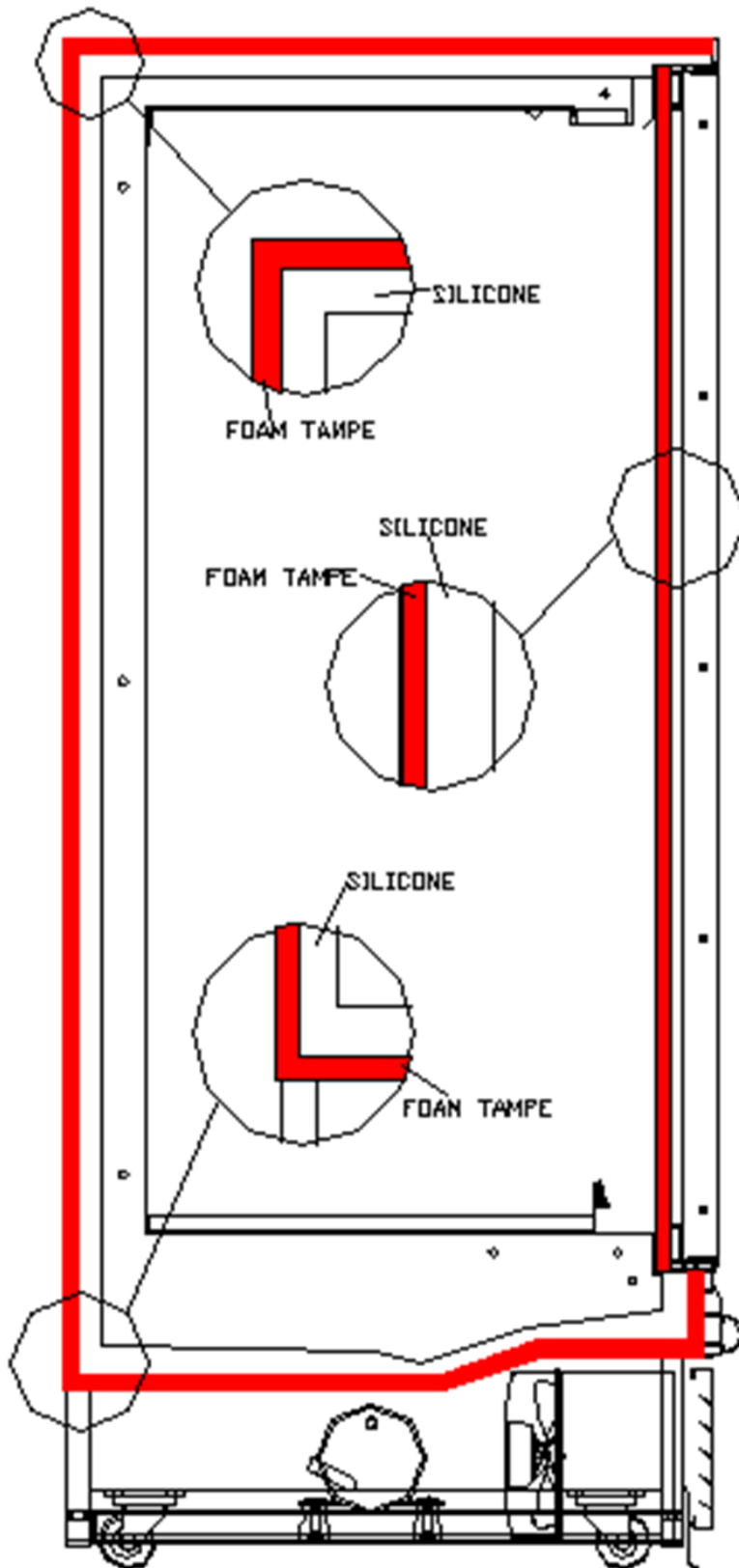
i Icon Fixtures have been provided with permanently mounted wheels to easily move them into position. This design means that by Rule, this is a mobile Appliance; No Mechanical Permits are required prior to Installation.



Installation

STEP 5

Fixture Preparation for Sealing Joint



The sealing of cases is imperative in the protection against leakage.

Tubes of butyl, silicone and foam tape are provided as part of the installation kit.

It is highly recommended to seal a case prior to installing another case alongside.

On **both Medium & Low Temperature fixtures**, attach the foam rubber to the ends of the openings (shown as red line on illustration on the left).

On **Low Temperature Fixtures Only** continue to apply an even amount of mastic to either side of the foam rubber. The rubber foam is required for sanitation purposes, while the butyl is required for refrigeration efficiency. Apply the butyl around the end perimeter.

As a final precaution, seal all internal joints with silicone. This provides added sealing against leakage.

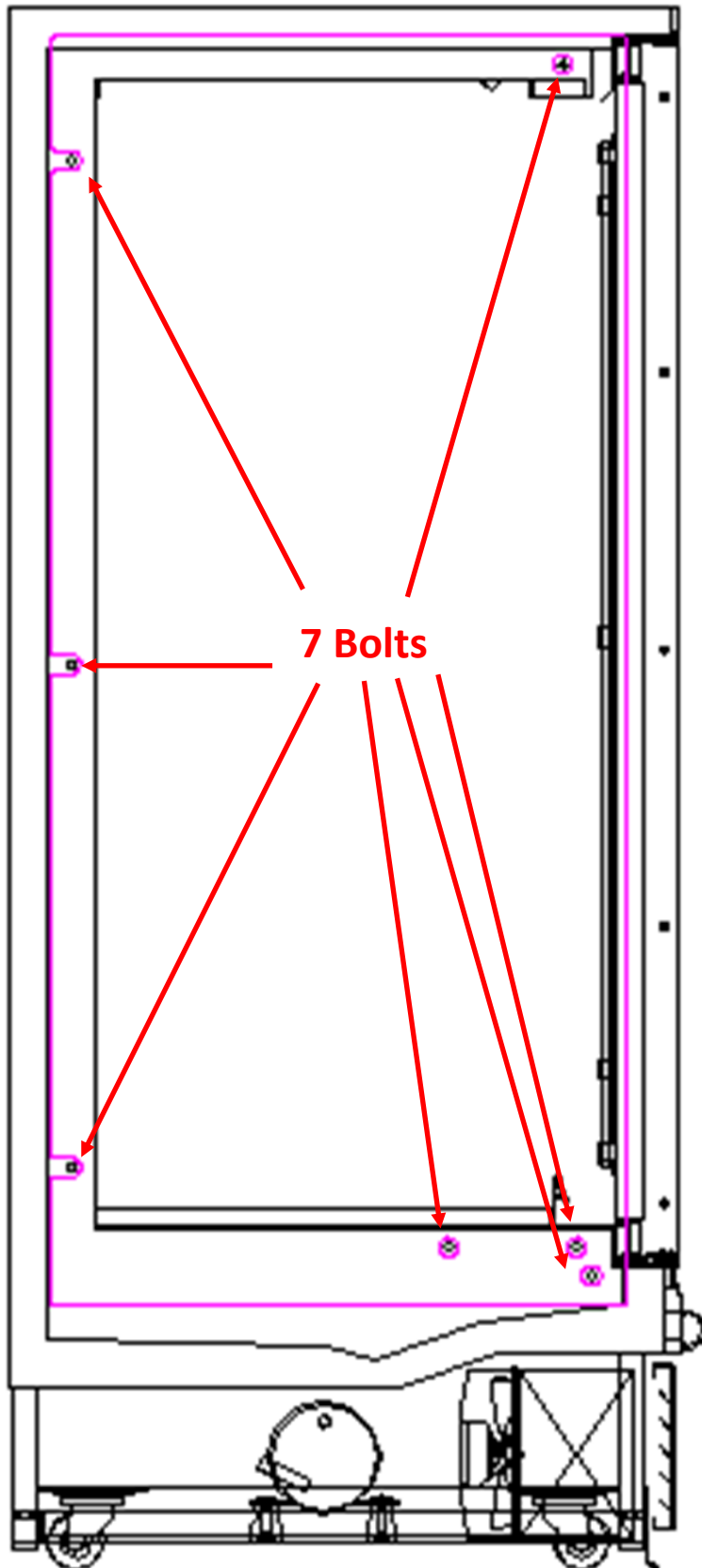
**LOCATE
HARDWARE KIT
FOR NEXT STEPS**



Installation

STEP 6

Fixture to Fixture fastening with bolts



Be sure that beads of sealant and foam tape have been applied correctly before commencing this operation. Insert case to case system divider. Move the required case tightly against the line-up case. Insert all necessary joining 7 bolts (as indicated in the illustration on the left) and finger tighten. Proceed with shimming/adjusting feet. After adjustment and alignment have been levelled, proceed to tighten the joining bolts equally until cases are firmly sealed together.

BOLTS PROVIDED IN HARDWARE KIT



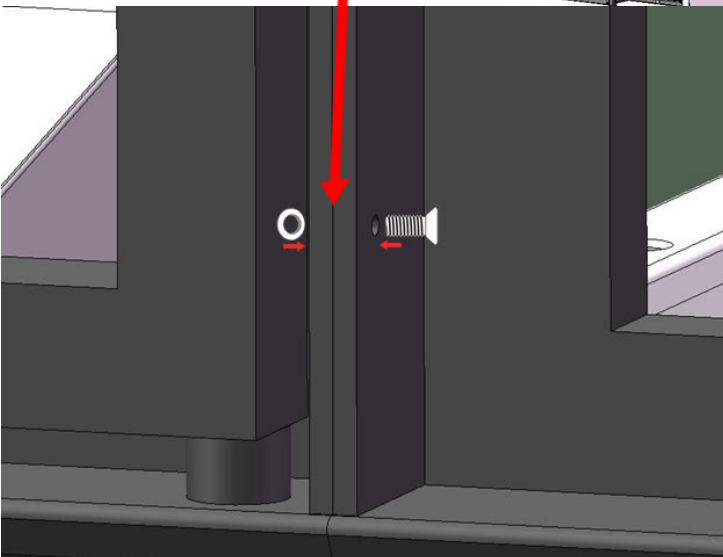
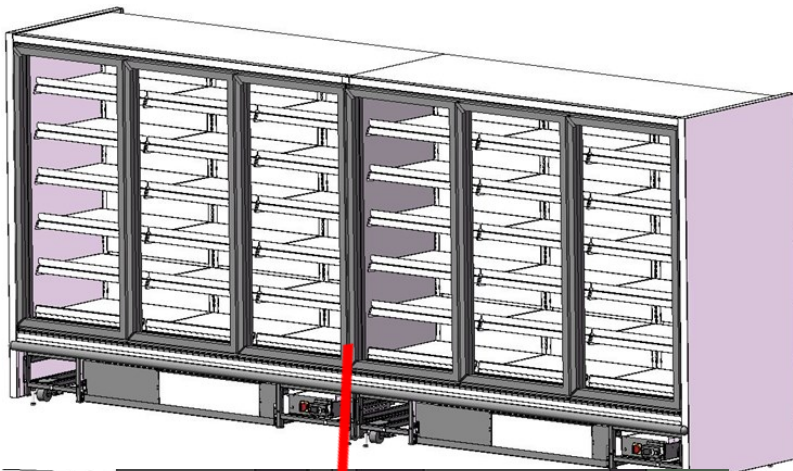
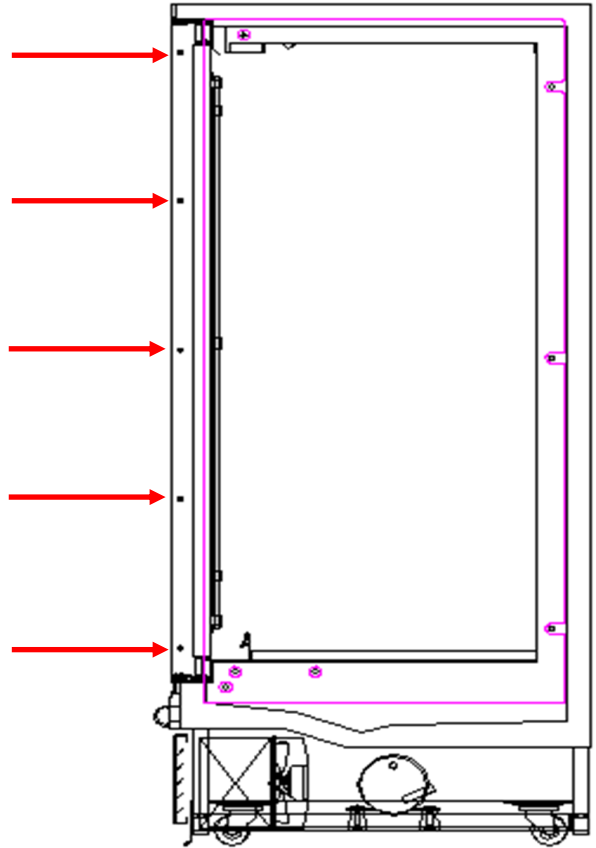
Installation

STEP 7

Join Door Frames

Locate bolts provided in Hardware Kit.
Insert all necessary joining 5 bolts/nuts
(as indicated in the illustration below)
and finger tighten.

After adjustment and alignment have-
been achieved, proceed to tighten the
joining bolts equally until door frames
are firmly joined and close any gaps.



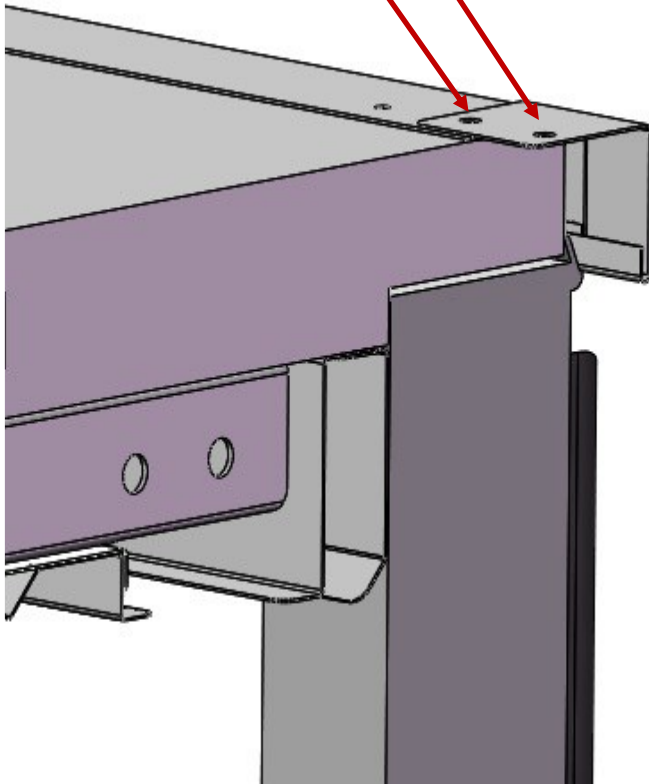
BOLTS PROVIDED IN HARDWARE KIT



Installation

STEP 8

Canopy Plates



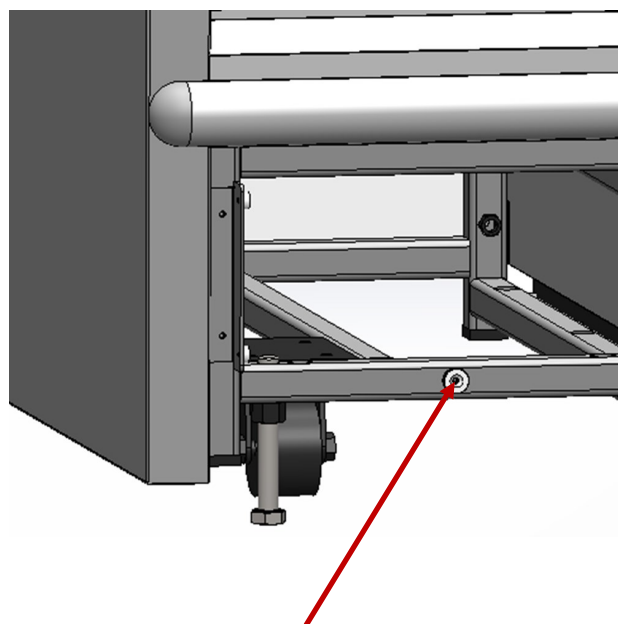
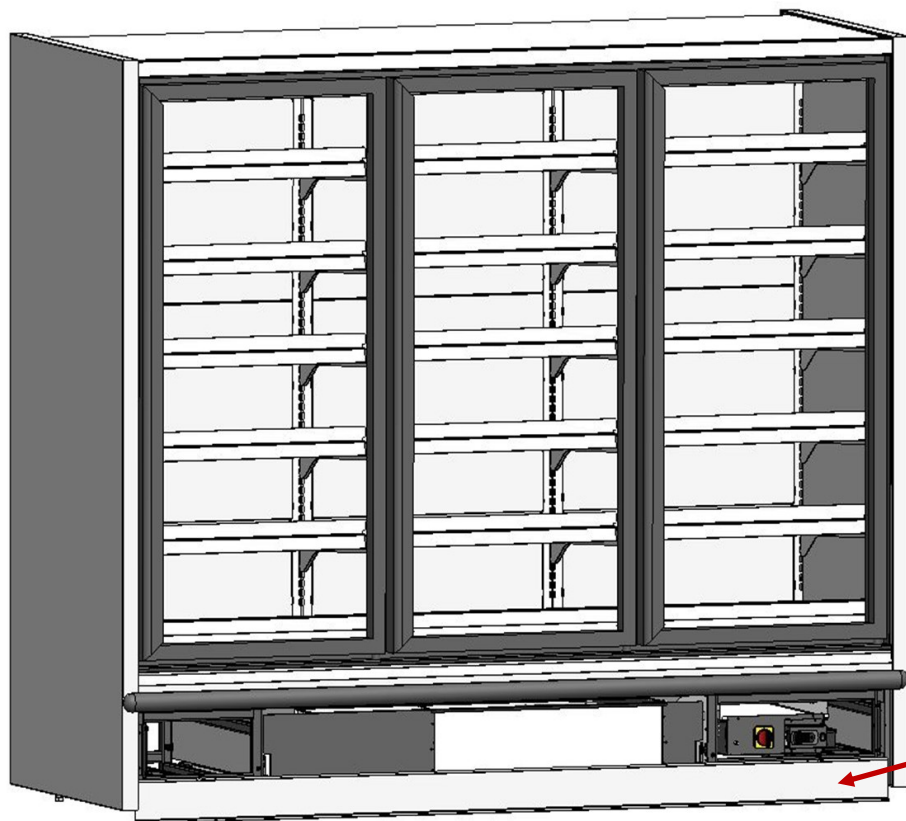
A Canopy to canopy cover strip and screws are supplied in the case to case fixing kit to ensure a flush and aligned finish to canopy joints.



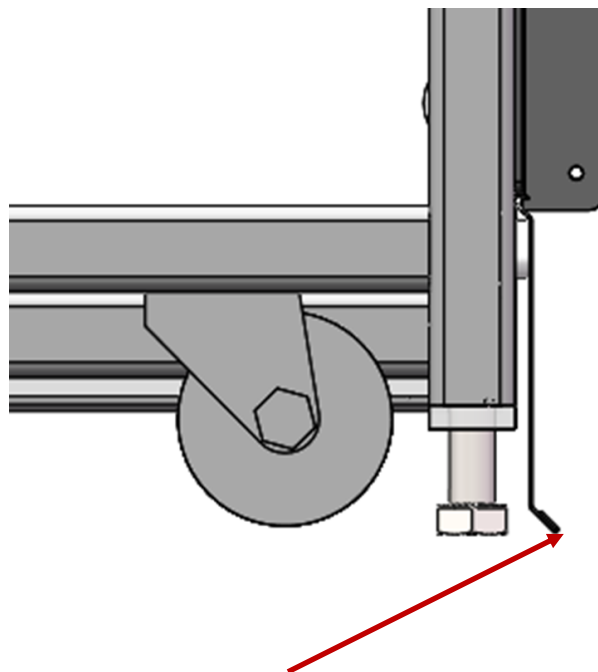
Installation

STEP 9

Kick Plate



Fits magnetically to circular magnets located to front of wheel and feet assembly

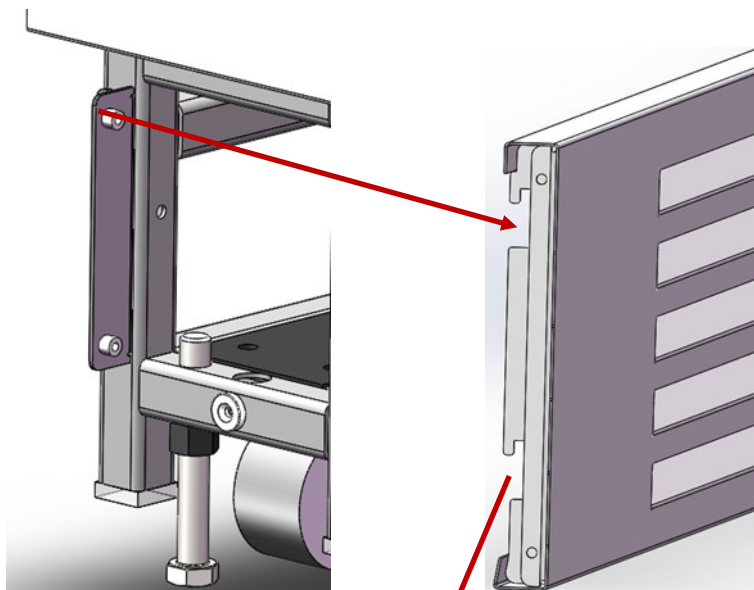


Plastic washer to metal kickplate to be at the bottom for flush tight finish to floor

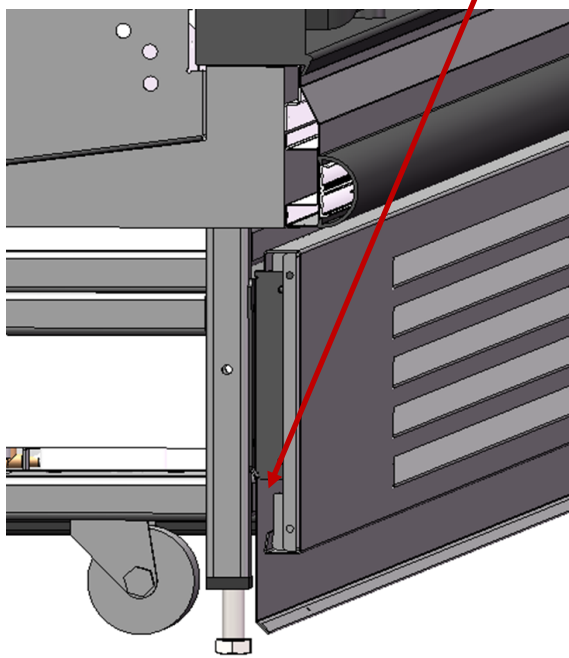
Installation

STEP 10

Front Grill Panel



Front Panels Fitted
Lift upwards onto
slots

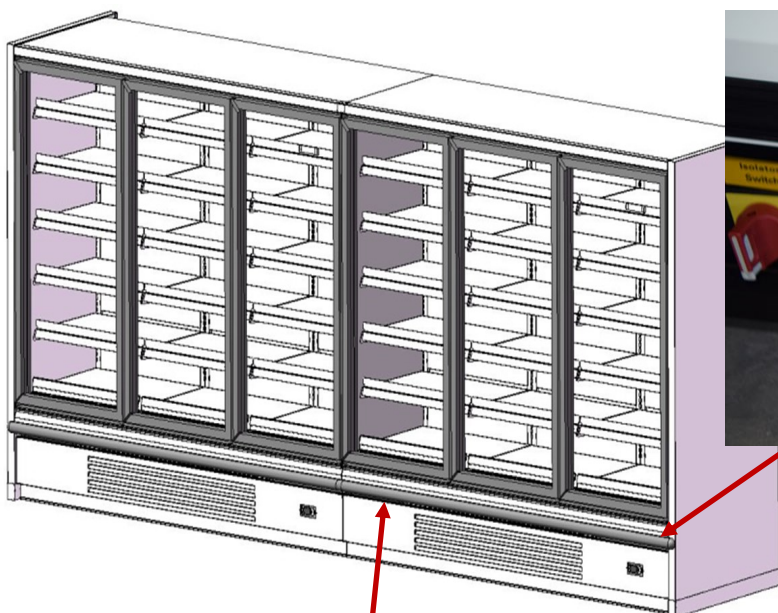


Installation

STEP 11

Cart Guard

Fitting McCue 2" CartGuard
Sufficient bumper and core, end stops and corner caps supplied for endcap & line-up



Locate back mounting bracket and rounded cover plate. Find slot on front lower panel to snap mounting bracket.



Secure mounting bracket with Phillips self tapping screws in uniform spacing along length. Once secure, snap in rounded front cover

! Good practice aesthetically to make bumper joint away from case to case joint

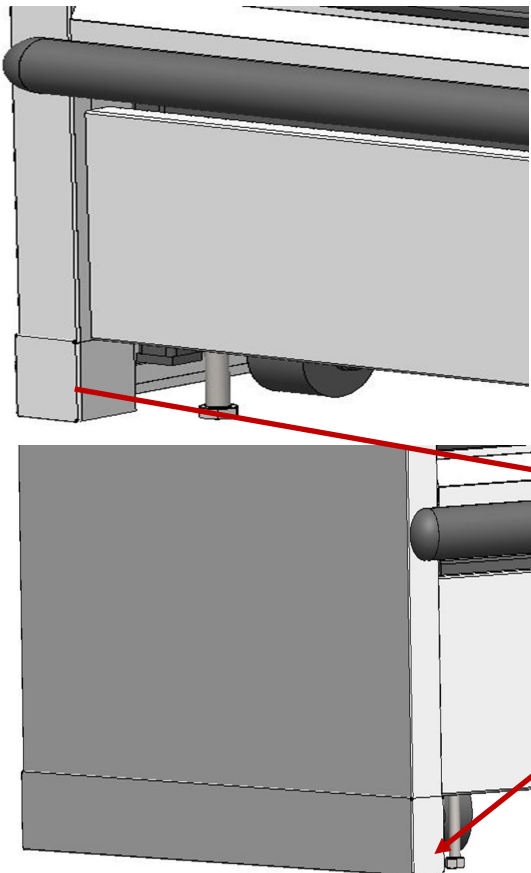


Installation

STEP 12

Fitting Shelves, Ticket Rail & Shelf Product Stops

Fixing infill panels to underside of end panels for flush and tight finish to floor

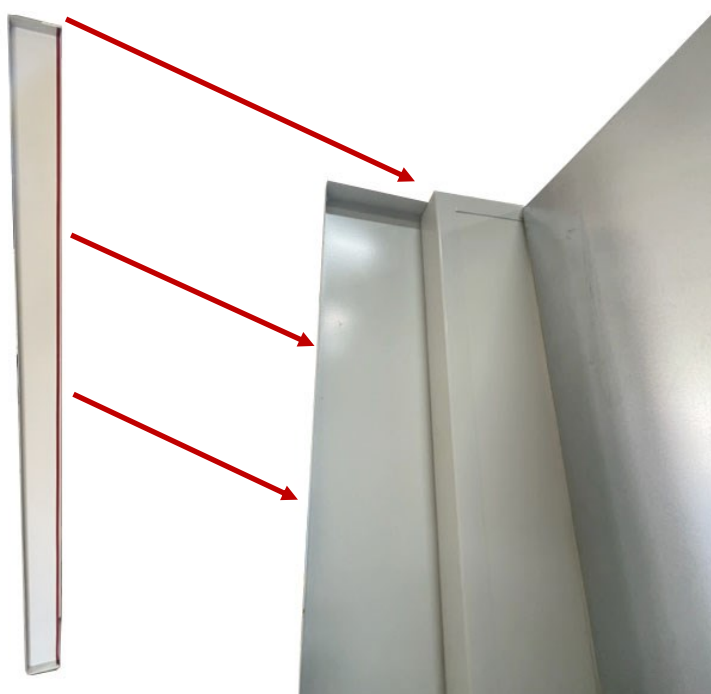


Remove the red protective 3M tape. Position infill on floor and slide on to end panel to underside of end-walls as required.



Fixing infill wall endcap panels vertically flush and tight finish to back wall.

Remove the red protective 3M tape. Position wall infill on and position and press on to outside of end panel walls as required to fill gap..



Installation

STEP 13

Door Tension Adjustment (IF NEEDED)



Adjust Door Tension.

Doors on ICON come pre assembled. Occasionally door tension may need adjustment may need after install. Follow guidelines below to adjust the open/close tension.

1. With 16MM open end wrench and pry bar (with protected end not to scratch door frame) position wrench on door pivot pin and pry between bottom of door and frame).
2. **To tighten (firm up close):** With wrench turn nut 1 CLICK (you will notice the click feeling) to the right. Test by opening door and letting it swing close. Adjust again (if needed) based on your judgement of test.
3. **To loosen (relax close):** With wrench turn nut 1 CLICK (you will notice the click feeling) to the left. Test by opening door and letting it swing close. Adjust again (if needed) based on your judgement of test.

Installation

STEP 14

Anti-Fog Film on Doors (Low Temp)



Removing Anti-Fog Film on Low Temperature Fixtures.

1. Open low temperature freezer door and locate label and bent film tab on inside top of the door.
2. The bent tab is the corner of the protective film that overlays the anti-fog film beneath.
3. To remove the outer protective film: firmly grasp bent tab and carefully begin to slowly pull down toward the opposite lower corner of the door until outer film is removed.

Cleaning Care: Periodic cleaning with soft lint free cloth and mixture of water & mild liquid soap. Use dry lint free cloth to polish & remove water spots. DO NOT use solvents such as acetone, toluene, ammonia window cleaners. Never use any abrasive cloths or over exert pressure while cleaning that may lead to scratching.

Doors

Changing Swing of Door (IF NEEDED)

Tools You'll Need

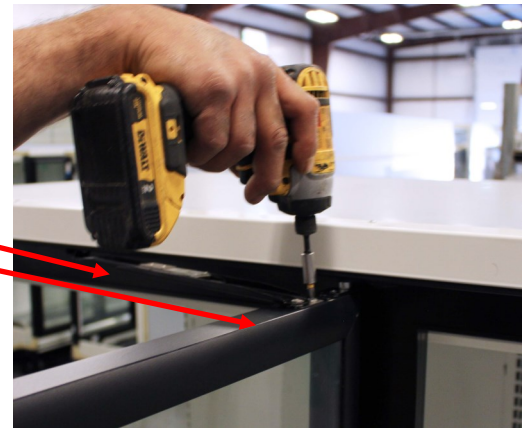
Impact Drill | Prybar | Philips Drill Bit | 5/32 Allen Wrench

Crescent Wrench

 It is strongly recommended that two people complete this process.

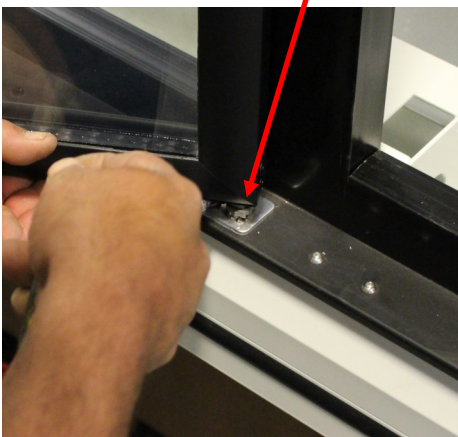
Step 1

Remove the swing arm from the atop the glass door and remove swing arm bracket inside door frame.



Step 2

Loosen the locking nut (5 clicks) on bottom of door using a crescent wrench



Step 3

Open the door at a 90 degree angle, lift the door bottom slightly then out away from the case to lower the top door pin out of the pin casing, lift and remove door.

Step 4

Remove plastic protector cap from opposite side the existing top door pin and place cap into old door top pin position.



Doors

Changing Swing of Door (IF NEEDED)

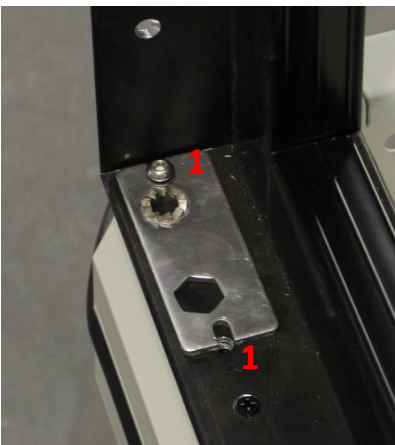
Step 5

Remove existing bottom silver bracket using 5/32 Allen Wrench. Keep the longer screws with washers for new bracket installation. **1**
Move to the opposite bracket position, remove shorter screws. **2**

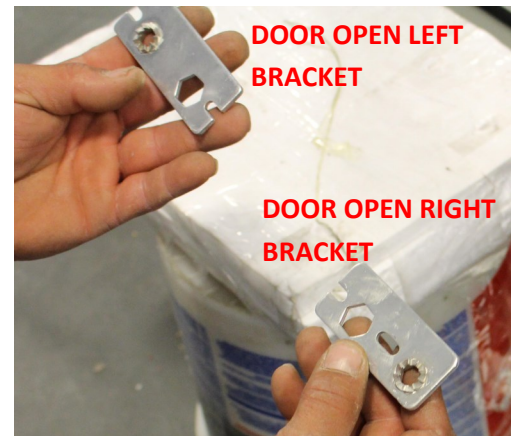
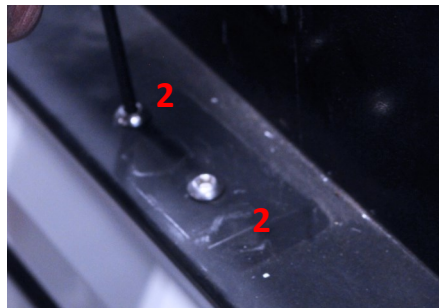


Step 6

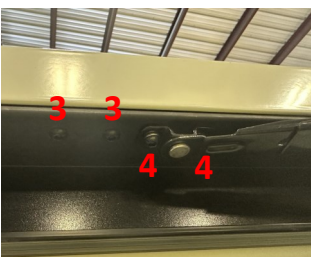
Install bottom silver bracket with the longer screws. **1**



Install shorter screws in old bracket position. **2**



Step 7



Remove screws from new swing arm position. **3**

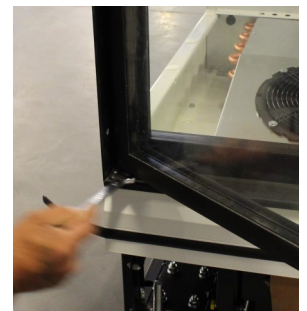
Remove screws with washers and swing arm assembly. **4**

Install original screws without washer into old swing arm position. **3**

Install original screws with washer into old swing arm position. **4**

Step 8

Install door, Lift door into top pin position and insert bottom door pin in bottom silver bracket. Reinstall swing arm to top of new door. Tighten bottom locking nut. (5 Clicks)



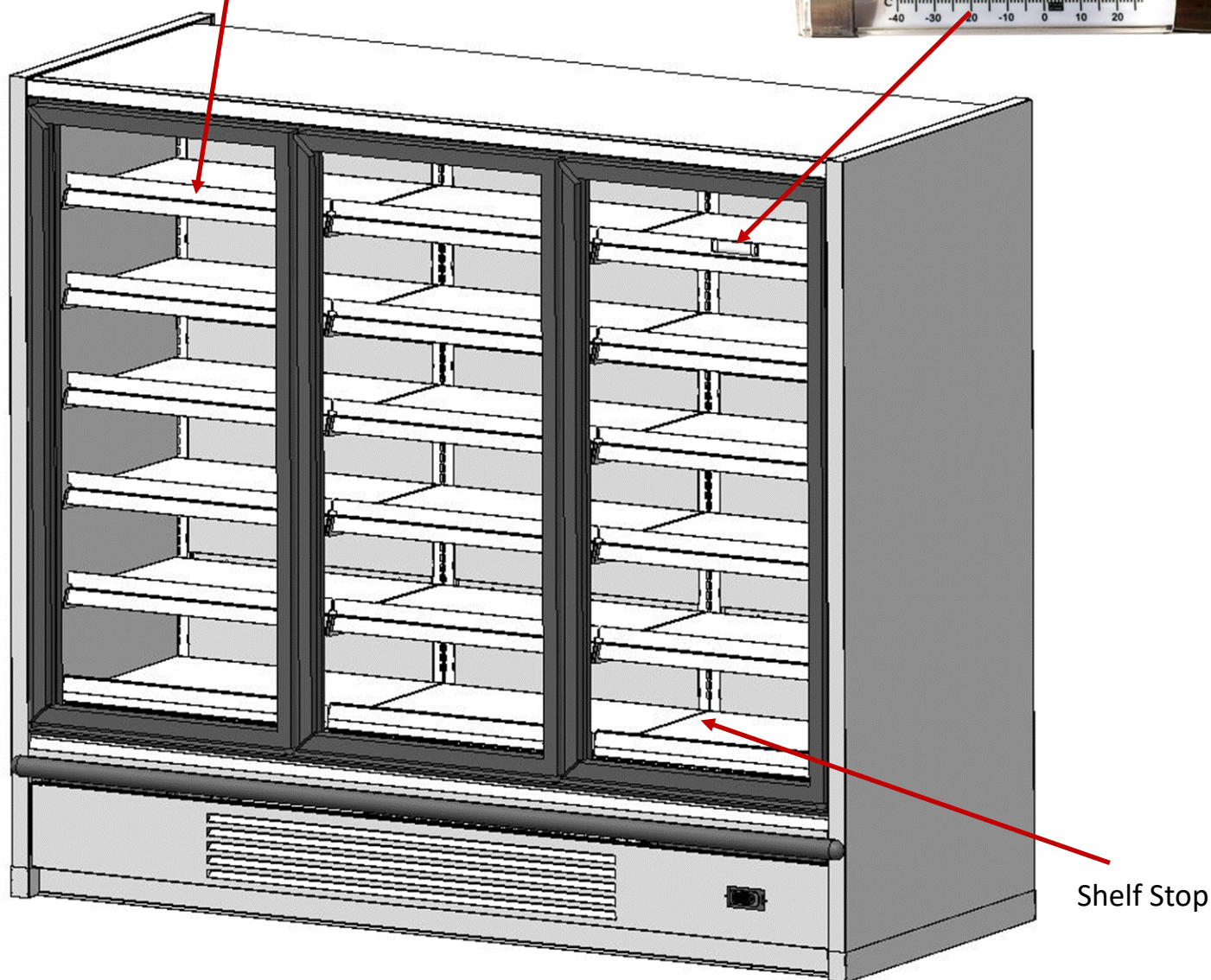
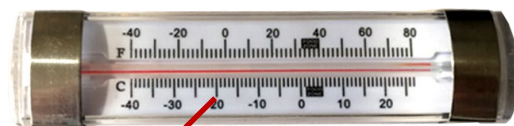
Installation

STEP 15

Fitting Shelves, Ticket Rail & Shelf Product Stops

Five Shelf Tiered Profile Bay. 1 ¼" Ticket Rail provided which slides onto shelf front molding before inserting into case. Shelves to be 0 degree horizontally fitted.

The thermometer (provided) should be put in the middle of the top right shelf guard.

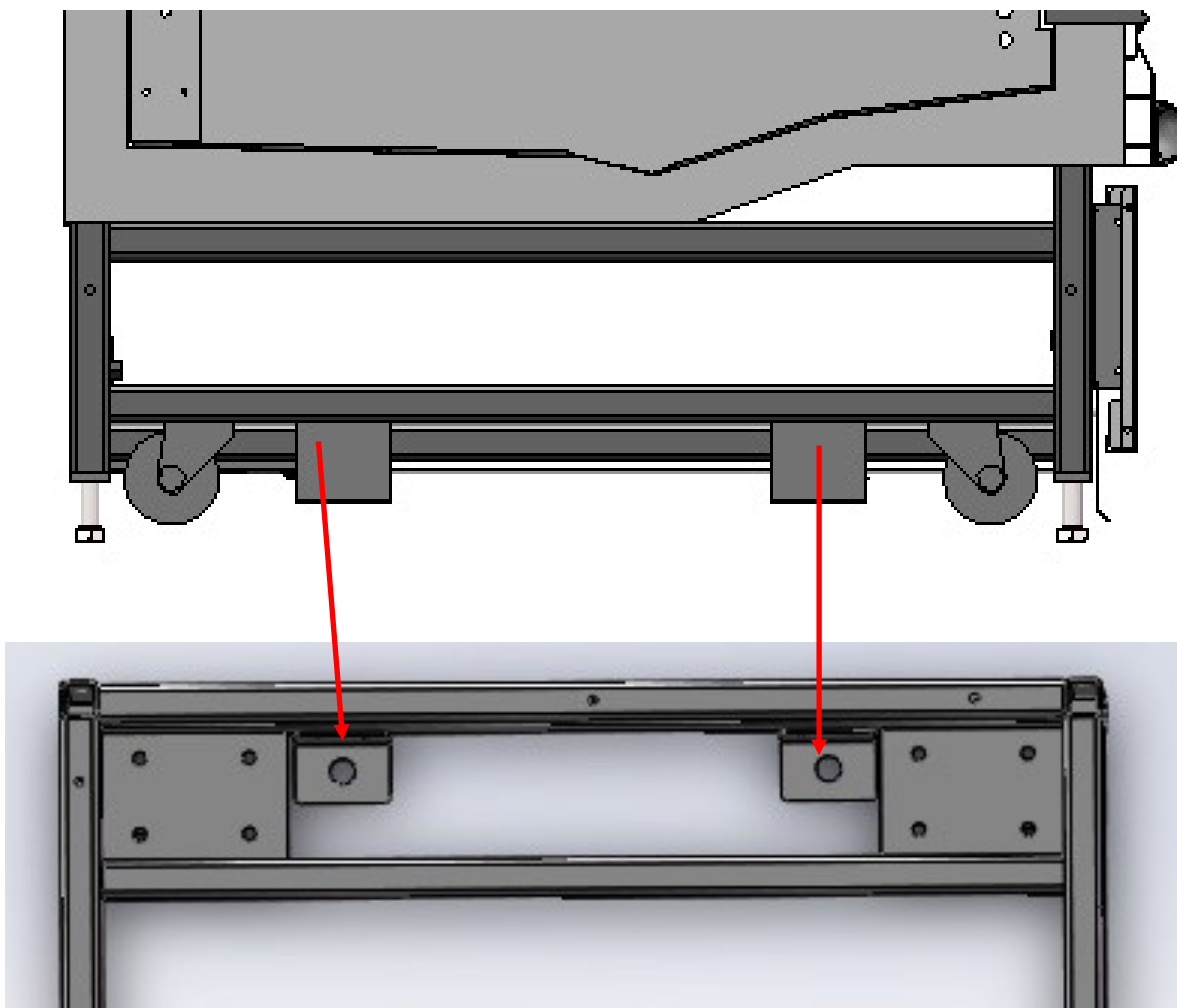


Installation

STEP 16

Seismic Bracing Kit (OPTIONAL IF REQUIRED)

Locate Brackets on Gable Ends

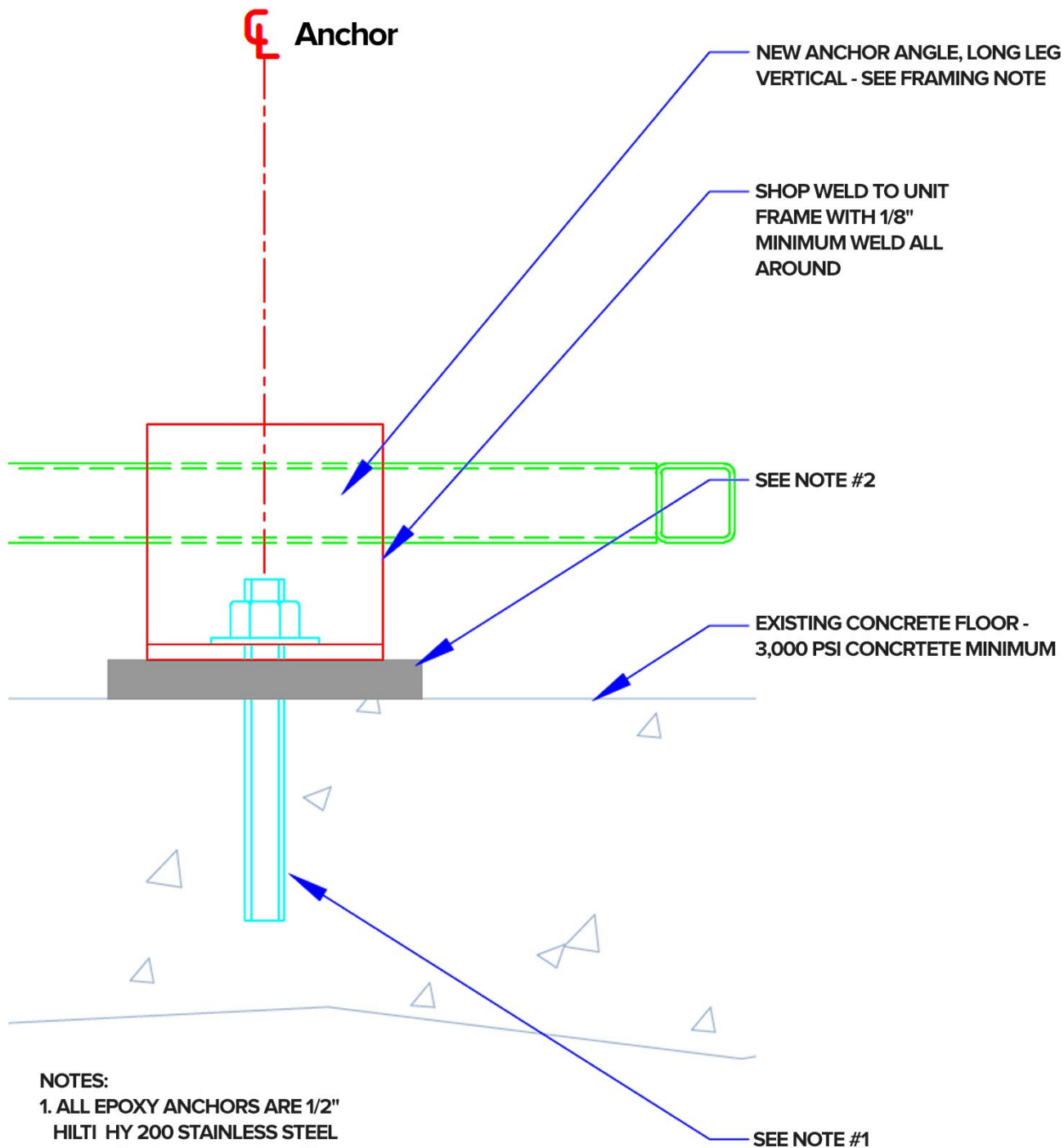


See Floor Bolt Diagram on Next Step

Installation

STEP 17

Seismic Bracing Kit (OPTIONAL IF REQUIRED)



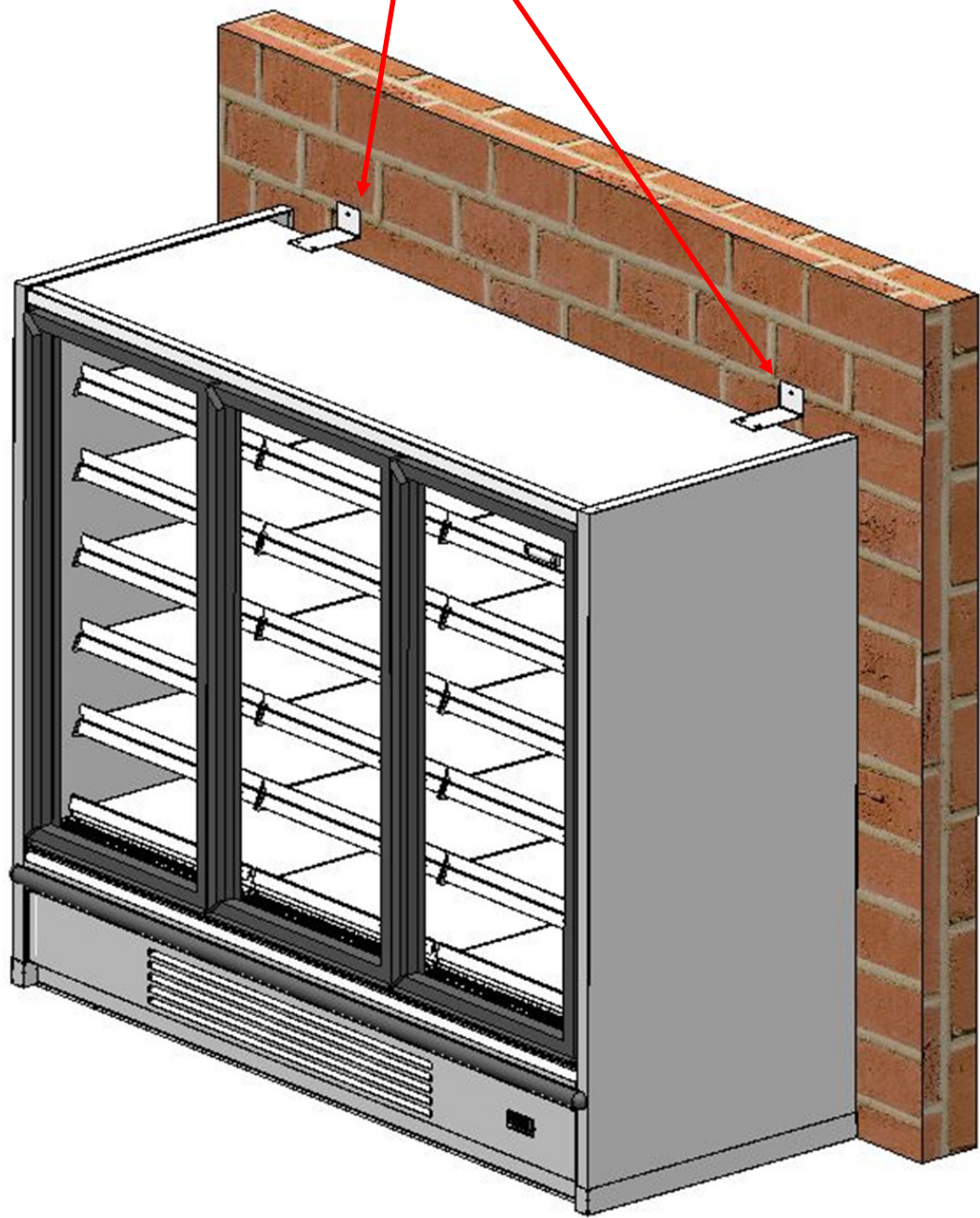
- NOTES:**
1. ALL EPOXY ANCHORS ARE 1/2" HILTI HY 200 STAINLESS STEEL WITH 4" MINIMUM EMBED (OR APPROVED EQUAL).
 2. BEARING PADS ARE 1/2"x 4"x 4" NEOPRENE PADS RATED FOR STRUCTURAL LOAD BEARING APPLICATION.

Installation

STEP 18

Seismic Bracing Kit (OPTIONAL IF REQUIRED)

Seismic
Brackets
Location

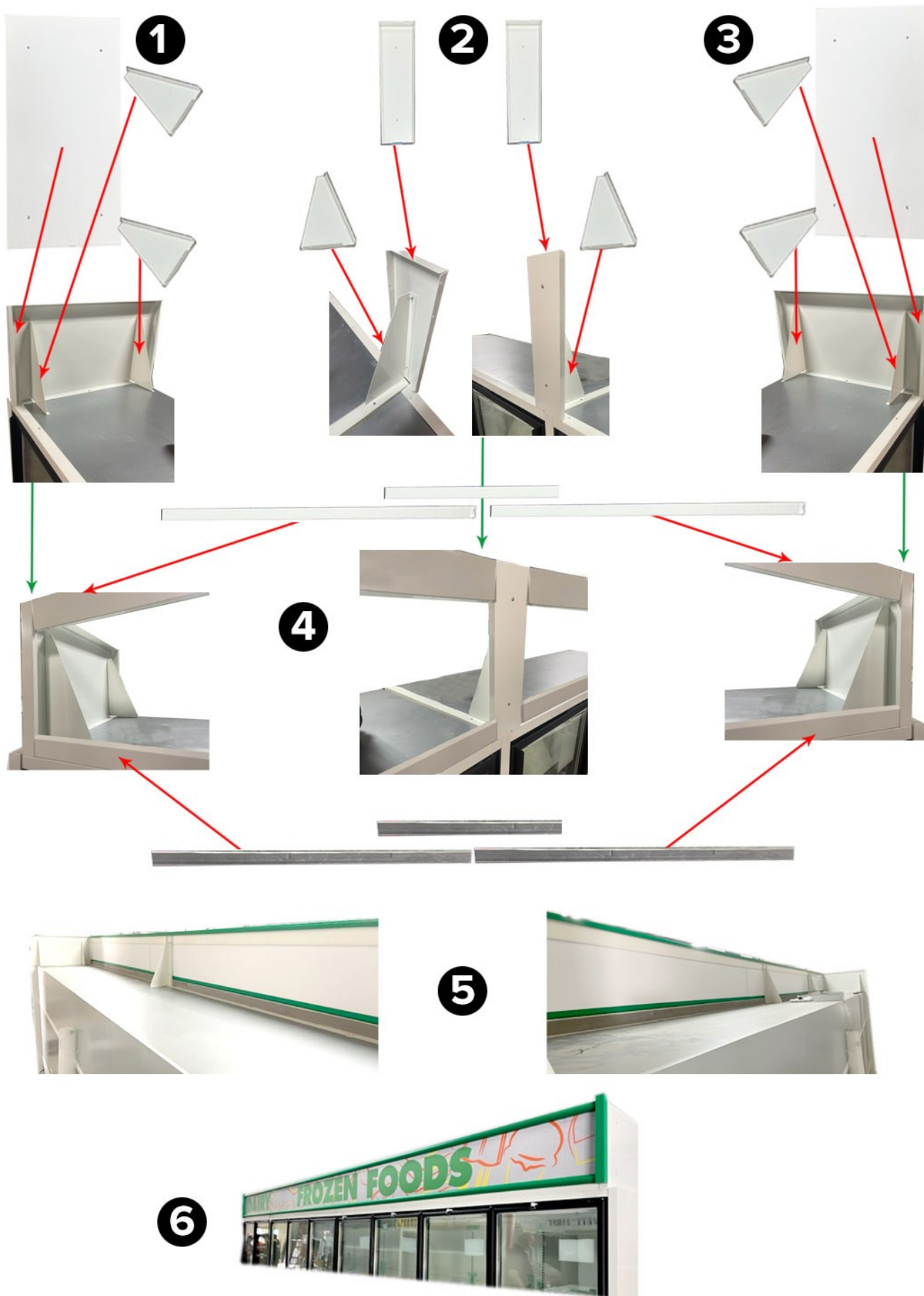


Installation

STEP 19

Dollar Tree Top Sign Assembly (IF REQUIRED)

1. Locate large rectangle end panel and 2 triangle upright braces. Attach braces to end panel (with lip facing in) on flat surface using self tapping Phillips head screws. Place assembly on top of left end lineup gable. Attach braces and end panel with screws.
2. Locate (2) small rectangle panels and (2) triangle upright braces. Attach (1) triangle brace to each rectangle panel. Repeat with other panel and triangle brace. Place assemblies individually on top of seam where cases are joined together. Attach each brace & end panel with screws.
3. Repeat STEP 1 on right hand gable of the lineup.
4. Locate long braces that are (3) white and (3) tin. Attach tin braces horizontally along bottom and white braces along top of upright panels as seen in #4 in diagram.
5. Total assembly should look like the views from behind sign assembly looking left and right as seen in #5 on diagram.
6. Attach plastic signs with green edge pieces clipped to finished assembly as seen in #6.



Electrical

Connections

Mains Connections



It is the contractor's responsibility to install fixtures according to local construction and health codes



To allow the oil in the Compressor to settle it is recommended that the case is not switched on at the Disconnect Switch until at least 90 minutes after the cabinet has been moved. If the cabinet has been laid down into a horizontal position (or an angle of $> 15^\circ$ from vertical), this period should be extended to 18 hours

Untie electrical flex and place it in such a location so that it can be connected to the appropriately rated socket once the case has been moved to the correct location

Tightening Connections

As a precautionary measure, be sure to check that there has been no obvious damage to the refrigeration system in transit.



A recommended inspection on all welded and fastened connections is a good work practice.



Ensure that the drain is correctly connected and directing water into the Evaporative Tray (when the Refrigeration Tray is closed) to stop any potential leakage

Electrical

Connections

- ◇ It is the contractor's responsibility to ensure all electrical installations comply with local regulations, codes or legislation.
- ◇ Any screw connections should be tightened at the terminal strip. Tighten every one as part of the installation procedure. Doing this will eliminate any possible burning of these terminals after installation.
- ◇ Plug and Chord connections should also be checked in case of any loosening from transport vibration.

Power Supply & Electrical Connection

The plug cord fitted to the case is 16 ft long with NEMA L14-20P plug and exits the case at the bottom left hand side

Outlet box for unit requires a requires a 115/208V 60Hz 4 wire grounded connection. Mounting of outlet box requires a rigid and secure support for NEMA twist-lock plug. Per NEC 314.23 guideline " Enclosures mounted on a building or other surface shall be rigidly and securely fastened in place, if the surface does not provide rigid and secure support, than additional support in accordance to this section shall be provided".

All flexible cords must meet OSHA standards and provide strain relief per NEC 400.14 that states " flexible cords and cables shall be connected to devices and to fittings so that tension is not transmitted to joints or terminals."



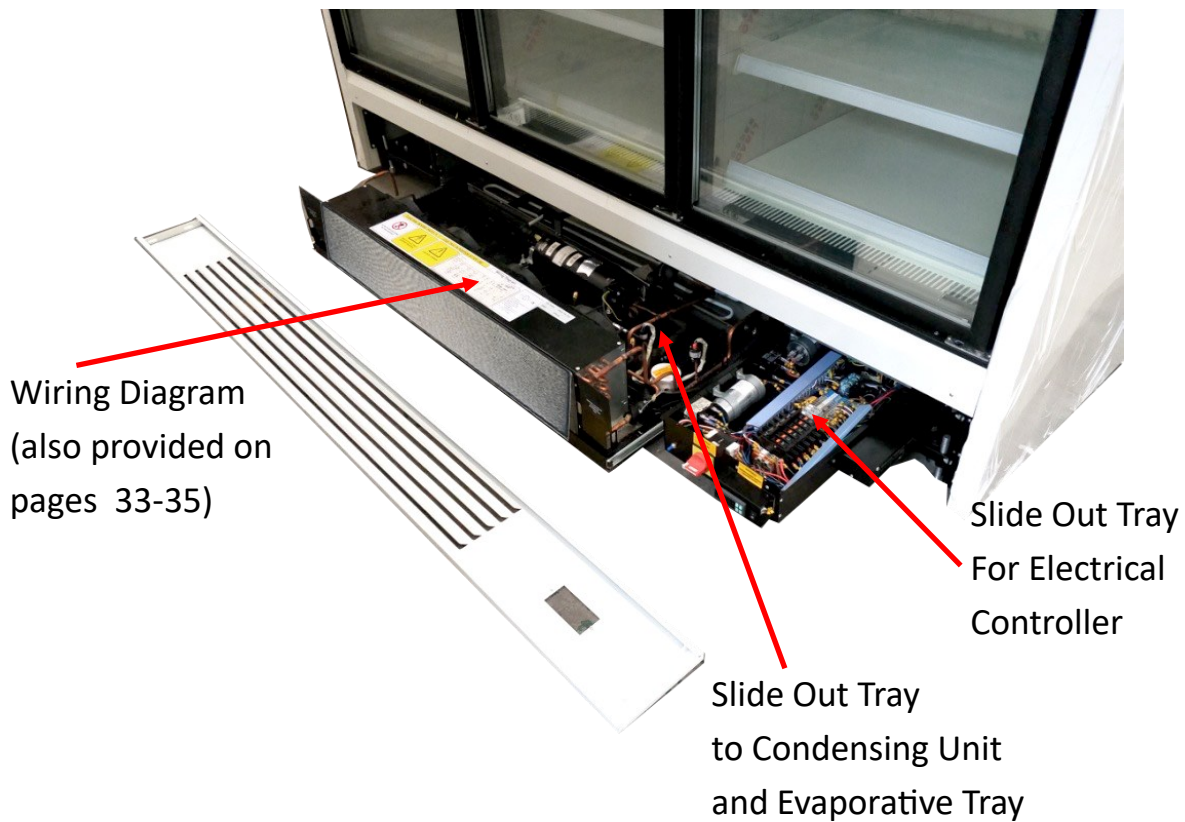
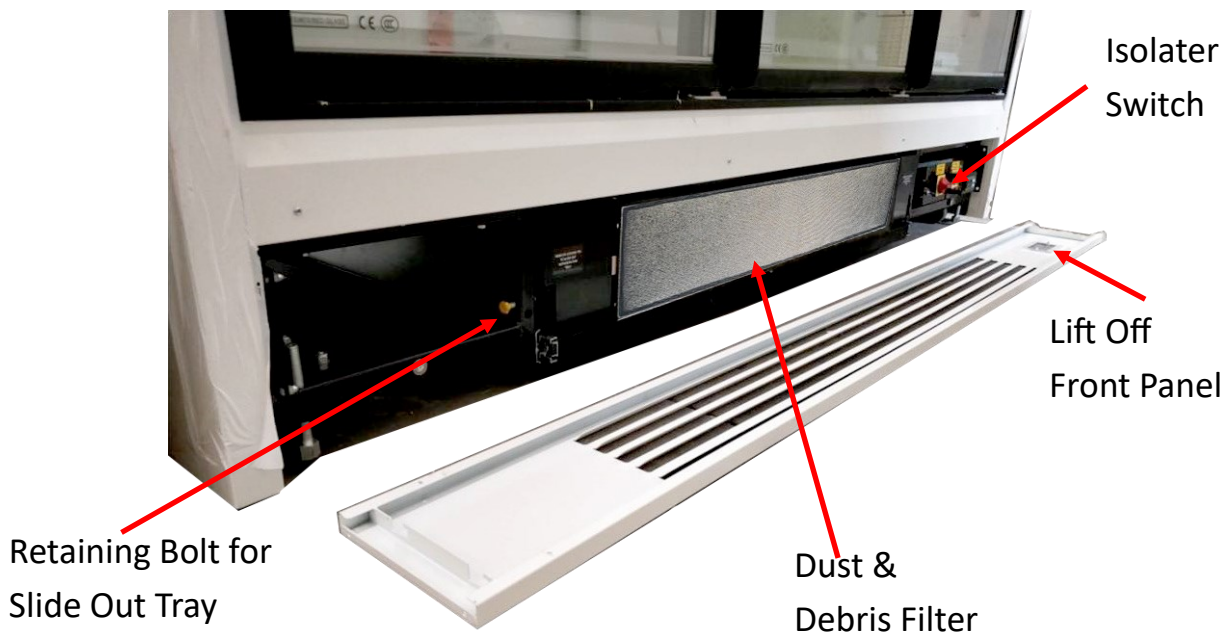
To avoid serious injury from electrical shock ALWAYS disconnect the electrical power at the main disconnect when servicing or repairing any electrical



NEMA L14-20P
3 Pole/4 Wire
20A 125/250V

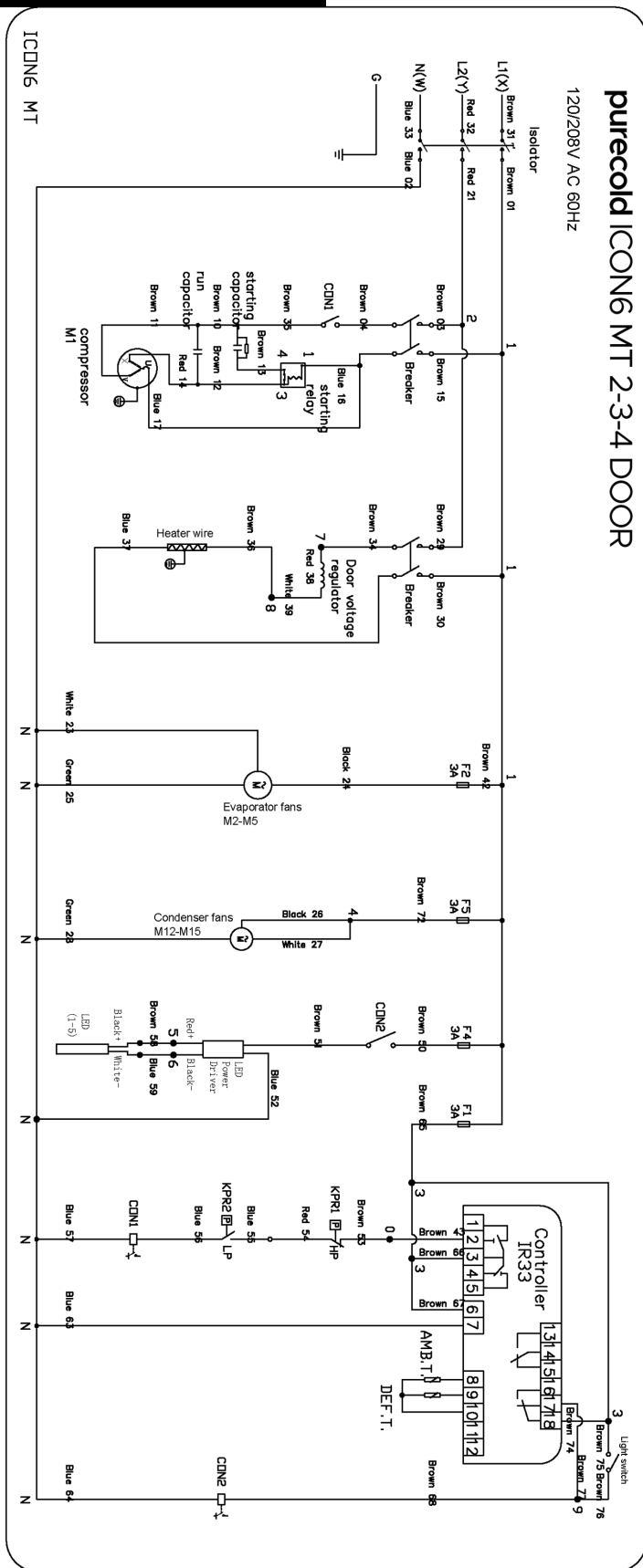
L14-20P

Electrical Equipment



Electrical

Wiring Diagram

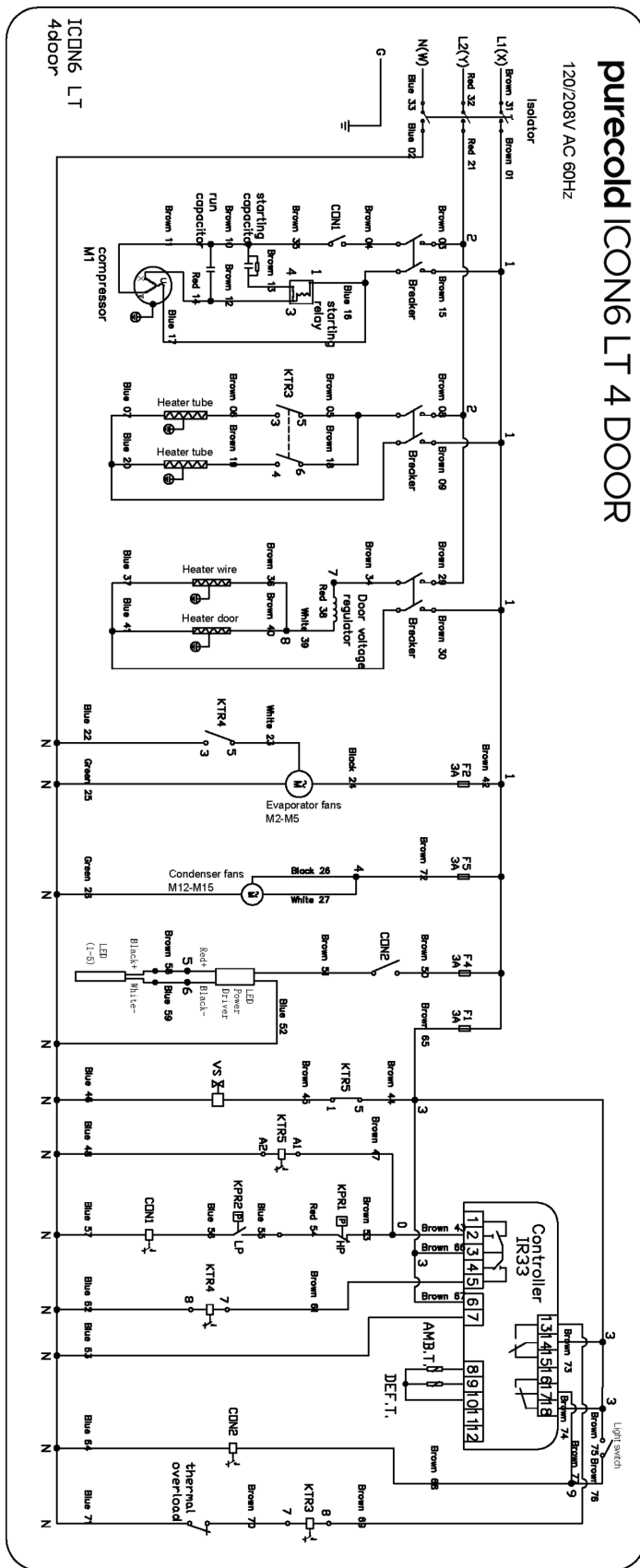


For Large Printable Media:

[Click Here](#)

Electrical

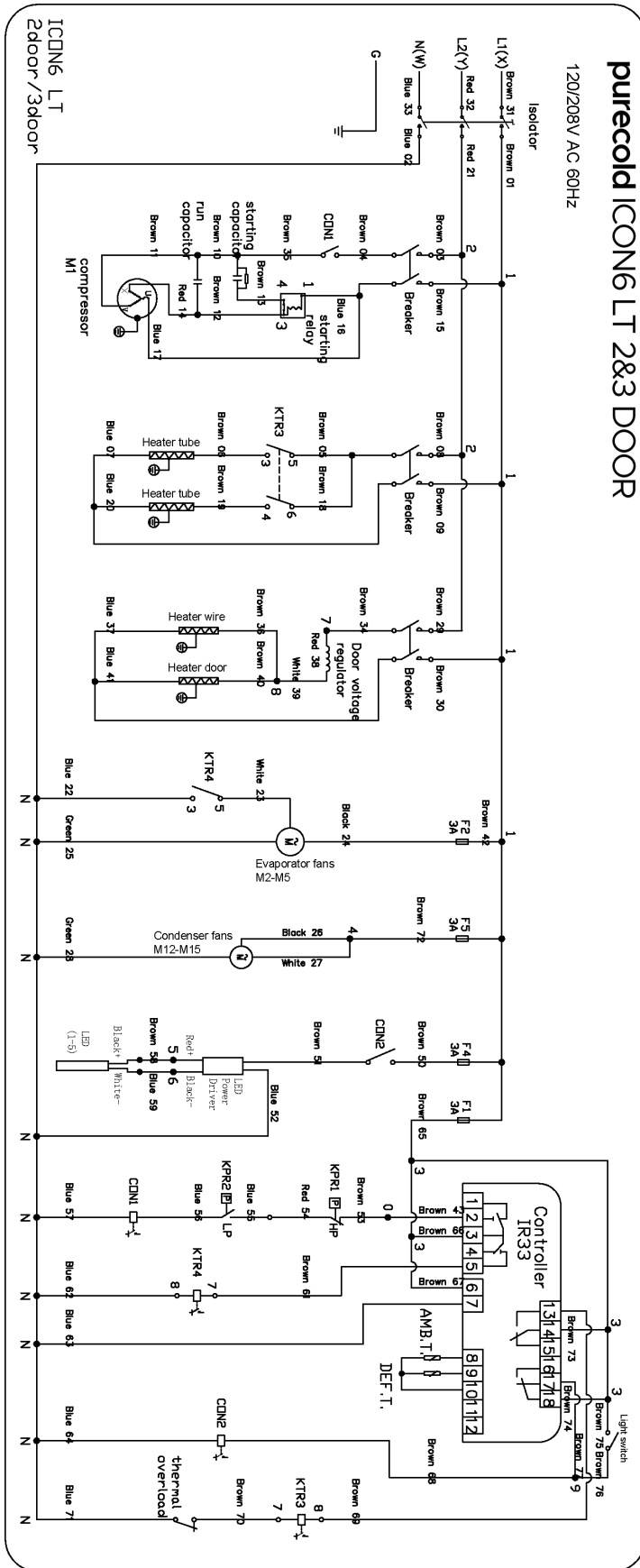
Wiring Diagram



For Large Printable Media:

[Click Here](#)

Electrical Wiring Diagram




For Large Printable Media:

[Click Here](#)

Refrigeration & Controller Data

Refrigerant Type



The standard refrigerant for the ICON6 case is R448a unless otherwise specified.
Check the serial plate (located on case ceiling plate right hand side) for information.



SERIAL NUMBER	ICON6 LT/07/2021/XXXXX
----------------------	------------------------

Model	ICON6 10S7LA1 3door	Refrigerant	R448A
Supply	208 / 120 V 60Hz 4 wire	Charge	74.1 OZ
Total Load	15.8 Amps	GWP	1273
Compressor FLA	5.37 Amps	Max Shelf Load	200 lbs
High / Low Side	375 / 183 PSIG	Manufacture Date	2021

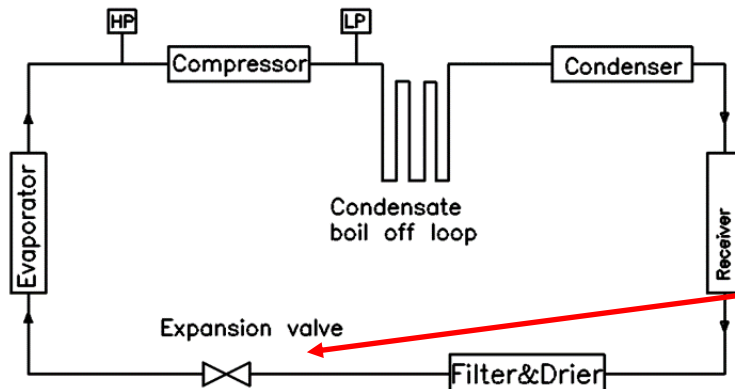
*This freezer
Is intended for the display and storage of packaged product foods only
Is a Type I Display freezer intended for use in an area where the environmental
conditions are controlled and maintained such that they do not exceed 75°F*

CONFORMS TO UL STD. 471
CONFORMS TO NSF STD. 7

Intertek Intertek
5020628

TEL +1 888 881 2653 WEB www.purecoldusa.com EMAIL info@purecoldusa.com



For additional information on
Danfoss Expansion Valves:

[CLICK HERE](#)

Refrigeration & Controller Data

Set Points

Please refer to engineering cut sheet for energy data and total heat rejection values, and refrigerant charge sizes.

Case controllers are pre-programmed prior to dispatch. Please find outlined below reference data for the CAREL IR33 Controller.

LOW TEMPERATURE CASE

Code	parameter	setting
st	Temperature set (°F)	-11
rd	Control differential (°F)	7
/3	The sensor shows the response speed	6
/5	Selection °F	1
C0	Comp. and fan start delay after start-up (min)	3
C1	minimum time between consecutive compressor starts (min)	10
C2	Min. compressor off time (min)	3
dI	Interval between two defrosts (h)	24
dt1	End defrost temperature(°F)	36
dp1	The most defrost time (min)	45
dd	Dripping time after defrost (min)	2
d6	temperature display during defrost , d6=0 display the message “d F ” alternating with the temperature measured by the control probe;	0
F2	The fan run even when the compressor stop	0

MEDIUM TEMPERATURE CASE

Code	parameter	setting
st	Temperature set (°F)	29
rd	Control differential (°F)	13
/3	The sensor shows the response speed	6
/5	Selection °F	1
C0	Comp. and fan start delay after start-up (min)	3
C1	minimum time between consecutive compressor starts (min)	10
C2	Min. compressor off time (min)	3
dI	Interval between two defrosts (h)	6
dt1	End defrost temperature(°F)	50
dp1	The most defrost time (min)	45
dd	Dripping time after defrost (min)	2
d6	temperature display during defrost , d6=0 display the message “d F ” alternating with the temperature measured by the control probe;	0

Refrigeration & Controller Data

CAREL

ir33 platform

Integrated Electronic
Microprocessor Controller



Programming The Instrument

To Modify The Setpoint

Set Press and hold the “SET” key for at least 1 second.

aux **def** 2. Use arrow keys ▲ ▼ on temperature controller to increase (or decrease) the setpoint.

Set 3. Quickly press and release the “SET” key again.

To Modify Defrost, Differential or Other Parameters

Prg **Set** 1. Press & hold “Prg” & “SET” keys together for five (5) seconds; display will flash “0”, representing password prompt.

Set 2. Confirm by pressing “SET” key.

aux **def** 3. Press ▲ or ▼ to reach the category to be modified.

Set 4. Press “SET” to modify this selected parameter.

aux **def** 5. Increase or decrease the value using the ▲ or ▼ button respectively.

Set 6. Press the “SET” key to temporarily save the new value and return to the display of the parameter.

Prg **mute** 7. Press & hold the “Prg” key for at least 5 seconds to save changes. This action will also mute the audible alarm (buzzer) & deactivate the alarm relay.

How To Change Reading From Fahrenheit (°F) To Celsius (°C)

Prg **Set** 1. Press and hold “Prg” and “SET” keys together for at least 5 seconds; display will show “0”, representing password prompt.

Set 2. Confirm by pressing “SET” key.

aux **def** 3. Press ▲ or ▼ until reaching the parameter “/ 5”.

Set 4. Press “SET” to modify this selected parameter.

aux **def** 5. Press ▲ or ▼ to change value to desired setting: “0” for Celsius (°C) or “1” for Fahrenheit (°F).

Set 6. Press “SET” key to temporarily save the new value and return to the display of the parameter.

Prg **mute** 7. Press & hold “Prg” key for at least 5 seconds to save changes. **Note! All values will automatically convert to new scale. No conversion is required.**

Warning! Save Your Parameter Settings!

1. To store the new parameter values, PRESS and HOLD the “Prg” key for at least 5 seconds.
2. All modifications made to parameters will be lost if you do NOT press a button within 60 seconds. Should this “timeout” occur, normal operational settings (prior to modifications being made) will resume.
3. If the instrument is switched off before pressing the “Prg” key, all modifications to parameters will be lost.

def **To Activate Manual Defrost**
Press and hold the “def” key for at least 5 seconds.

aux **To Activate / Deactivate Auxiliary Output**
Press and hold the “aux” key for 1 second.

Prg **aux** **To Reset Any Alarms With Manual Reset**

Press and hold the “Prg” and “aux” key for at least 1 second.

Refrigeration & Controller Data



ir33 platform
Integrated Electronic
Microprocessor Controller



Summary Table of Operating Parameters

CODE	PARAMETER	UOM*	TYPE	MINIMUM	MAXIMUM
/5	Select Celcius (°C) or Fahrenheit (°F)	flag	C	0	1
/c1	Calibration of probe 1	°C/°F	C	-20	20
/c2	Calibration of probe 2	°C/°F	C	-20	20
St	Temperature set point	°C/°F	F	r2	r1
rd	Control delta	°C/°F	F	20	0.1
dl	Interval between defrosts	hours	F	0	250
dt1	End defrost temperature, evaporator	°C/°F	F	-50	200
dP1	Maximum defrost duration, evaporator	min	F	1	250
d6	Display on hold during defrost	-	C	0	2
dd	Dripping time after defrost	min	F	0	15
d/1	Display of defrost probe 1	°C/°F	F	-	-

* Unit Of Measure

User Information

Fixture Shelves

Shelf Mounting

Locate shelf frames in slotted column to required height and angle. Only use recommended shelf configurations as case performance can be affected by over-stocking or incorrect shelving configurations.

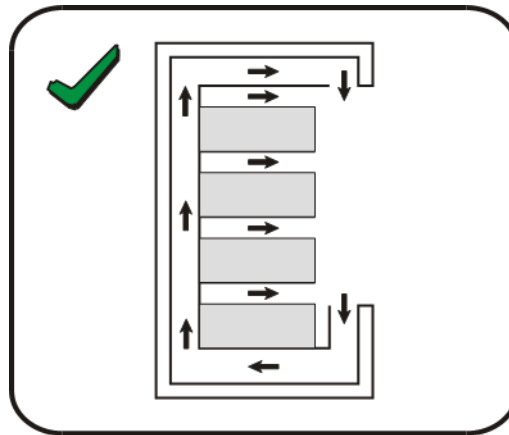
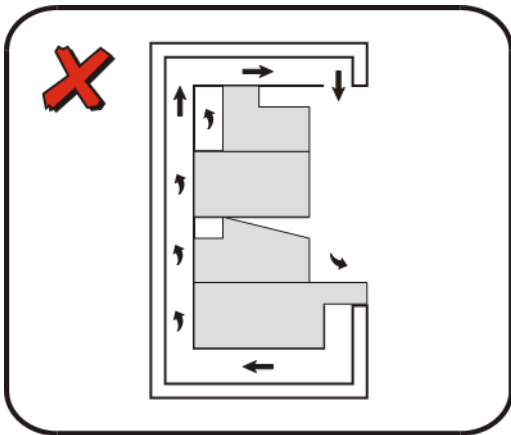


Do not load individual shelves with more than 200lbs

Loading of Merchandise

Where marked do not fill case beyond the load line label.

Always allow air space between the product and the shelf or canopy above in order to maintain cold air circulation. It is also imperative that the air return grill remains clear and free of blockages at all times.



Failure to enable cold air to circulate as designed can lead to improper product temperature and also effects the operation of the case.

User Information

Fixture Cleaning



Always electrically isolate via disconnect switch before carrying out any work on the case.

Weekly Clean

- Wipe down the internal panels and all areas that may contact retail products. Use a damp cloth with a mild soap solution.
- Wipe down the front panel with a damp cloth (which may otherwise attract dust where the air is sucked in.)
- Dependent on type of product being displayed, some cases will require more frequent or daily cleaning.

Six Week Clean

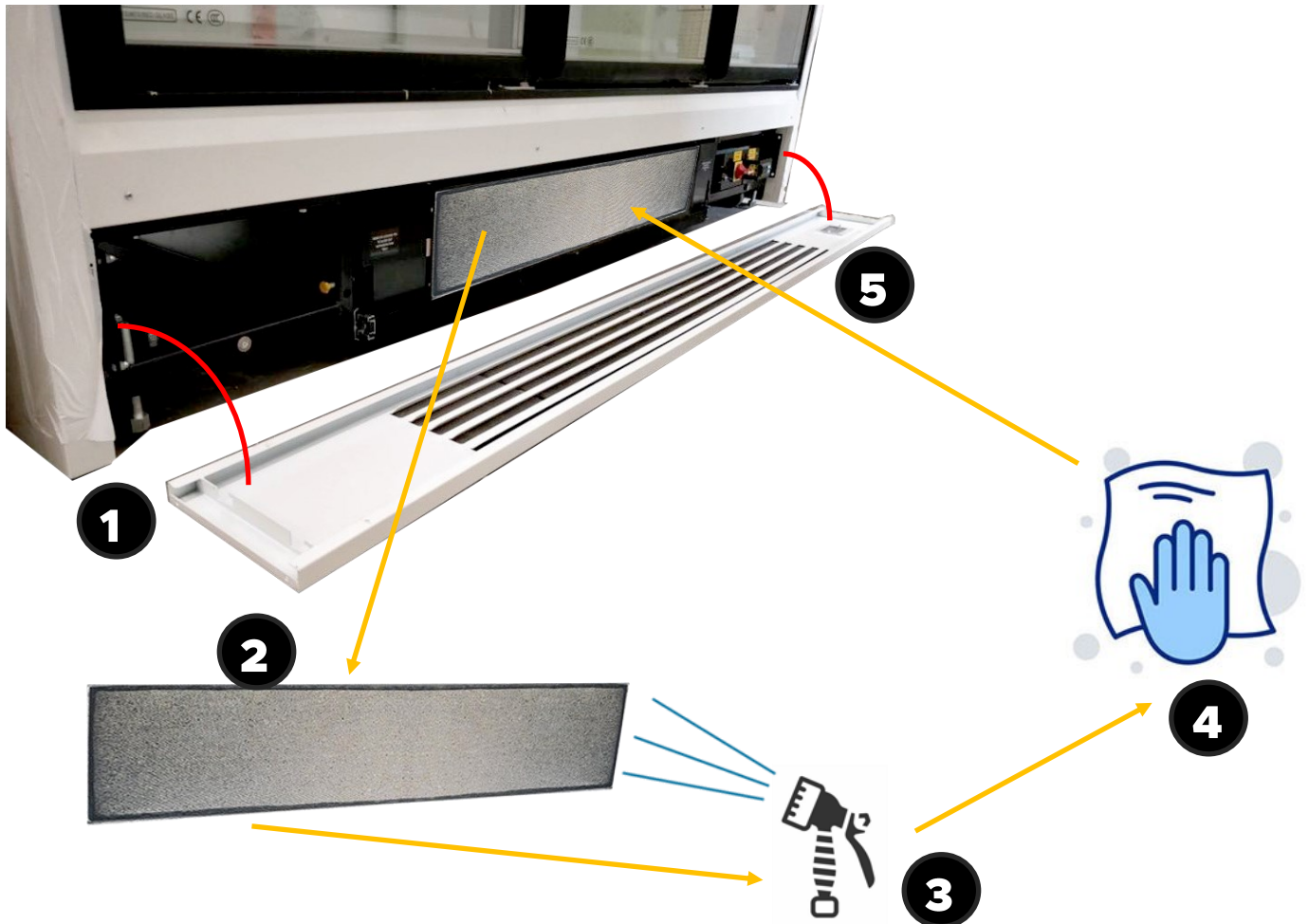
- Carry out the weekly clean
- Remove and wash removable condensing unit mesh
- Clean the front of the Condenser Unit using an evaporator comb to remove dust and other particles. Take care not to damage refrigeration pipes

Six Month Clean

- Deep cleans should be carried out involving dismantling, cleaning and inspecting the case to ensure correct operation of all areas. Only qualified personnel should carry out this process.
- When cleaning cases only use non-abrasive, odorless detergent cleaner suitable for food hygiene environments, diluted to the manufacturers recommended concentration.
- When cleaning debris from the case base, in order to avoid blockages or damage, the following points must be observed
- When working inside the case take care not to damage any components such as fan blades or probes and do not put strain on any cables.
- Where electrical components are fitted with plug and sockets, these should be removed prior to cleaning.
- Do not directly apply water to fan motors or any other electrical components in the case.
- Only use a soft cloth and mild glass cleaner for cleaning glass or mirrored components. - Be sure to rinse and/or dry completely.
- Only the internal drain of the case may be rinsed out with clean water providing the case is connected directly to the mains drainage.
- If the case is connected to only to the evaporative tray, care must be taken not to overfill the tray.
- It is recommended that the case drainage 'U' bend is disconnected, cleaned out, and reconnected

User Information

Fixture Cleaning



1. Remove front grill by lifting ends off hooks and place flat on the ground.
2. Remove mesh screen filter by lifting out of notched panel.
3. Rinse filter with water from a medium pressure hose or sink
4. Gently dry filter with soft cloth. (DO NOT HIT OR SHAKE— MAY BREAK FRAME)
5. Once Dry - place filter back in slotted spot on condenser and return grill panel by lifting onto end hooks.

User Information

Fixture Cleaning



Care should be taken when cleaning in the area of the evaporator and condenser – it is recommended that protective gloves be worn as the evaporator and condenser fins have sharp edges.



Do not use high-pressure water hoses.

Do not use abrasive and/or solvent cleaners that could scratch or irreversibly damage the surface finish.

Never use a cleaning or sanitizing solution that has an oil base (these will dissolve the butyl sealant) or an ammonia base (this will corrode the copper components of the case)

Do not introduce water faster than waste outlet can drain/evaporate

Never use hot water on cold glass surfaces as it may shatter and cause serious injury. Allow all glass surfaces to warm first.

Case Maintenance

General Checklist

During annual visits the following maintenance checks should be carried out as a minimum to ensure case operation and safety. Any additional requirements to satisfy prevailing regulation should also be met. ***Only qualified and approved refrigeration and electrical engineers should carry out these checks.***

- Ensure all cable connections are secured; especially all screw terminals, earth leads and straps.
- Ensure insulation is sound to all electrical components including expansion valves, fans, , controls, earth and terminals
- Ensure the case internals are free of any foreign materials.
- Electrical safety tests including earth continuity and insulation resistance should be conducted on the case yearly or more frequently if the prevailing electrical regulations specify.
- Ensure that the correct fuse rating and type is fitted for all circuits.
- Ensure all fans, valves, lights, blinds and controls are working correctly.
- Check condenser for damage
- Check evaporator coil for damage.
- Ensure that there are no refrigerant leaks.
- Check drainage connections and tray
- Check that all case panels, glass and trims are secure.



Always electrically isolate case via disconnect switch before carrying out any work that effect or expose electrical components or moving parts such as fan blades

Access to Fans, Evaporator and Expansion Valves

Evaporator Fans—Lift out deck pan plates and if removing fan baffle assembly (lower rear), lift off and place in case ensuring no strain is placed on connecting cables

Evaporator— Remove the lower back baffle plate by pushing up and pulling out via the finger access holes

Expansion Valve— Remove the left hand upper hatch cover, then unscrew and remove the lower hatch cover

Condenser Fans—**1.)** Remove front panel by lifting up and off **2.)** Release bolt fixing on left of condensing unit slide out tray **3.)** Slide condensing unit tray forwards

Case Maintenance

General Checklist

Access to Drainage Outlets

Access to drainage outlets is by pulling out the refrigeration tray to the maximum extent.

Access to Electrical Panel & Controls



When working inside the electrical box the power supply must be isolated via the disconnect switch as there are live wires feeding into the box.

Remove completely front panel

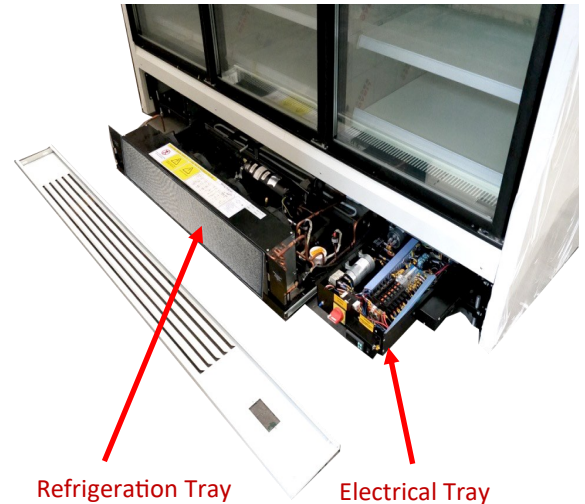
The electrical tray is located on the right hand side of the cabinet as you face it

Isolate the power supply via the disconnect switch located on the electric box.

Warning Capacitors are used in the product so there may be a residual charge

Unscrew 4 screws and slide out tray

When working with the electric box ensure no strain is



General Cautions



The case contains some heavy components. Care should be taken and assistance used where necessary.

Owner Responsibility

If you sell or give away your Inspiration case you must make sure that all safety labels and the Installation, Operation and Maintenance Manual are included with it. If you need replacement labels or manuals, Pure Cold Inc can provide them.

Upon sale, give away or dispose of your Inspiration case and evacuate the charge before shipment, Pure Cold recommends that the refrigerant charge be properly recovered in compliance with Section 608 of the Clean Air Act and in accordance with all applicable local, regional or national standards.

WARNING: This product can expose you to chemicals including arsenic, which is known to the State of California to cause cancer. For more information, go to www.P65Warnings.ca.gov.

