

purecold

ICON 6

(10S7LA1) (10S7MA1)

Self-Contained, Slide-Out Bottom Mount

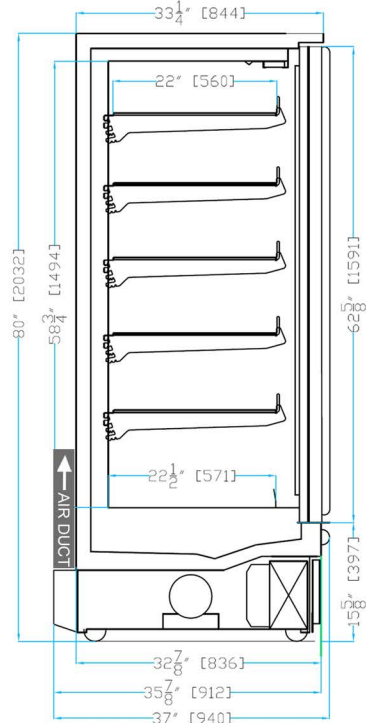
Low & Medium Temperature

Doored Merchandiser



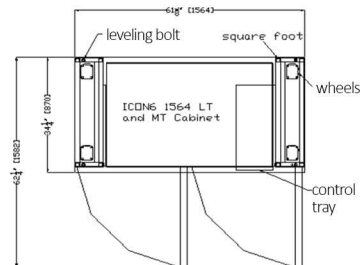
ICON6 (10S7MA1) Medium Temperature Application

Case Length	61.5"(2dr)	92.5"(3dr)	123"(4dr)
Physical Data			
Total Display Area in ft ²	21.74	32.61	43.48
Refrigerated Volume in ft ³	45.8	68.9	91.6
Shelf Depth <i>max</i>	21 5/8"	21 5/8"	21 5/8"
Electrical Data (115V 60Hz)			
Case Load	1.8	2.8	3.8
Electrical Data (208V 60Hz)			
Condensing Unit	3.0	4.0	5.0
MOCP (per phase) Amps	15	15	15
Energy Data			
THR in BTU/HR instantaneous	2797	3923	5118
THR in BTU/HR average	750	1091	1438
Net Environmental Heating Effect in BTU/HR	675	982	1294



ICON6 (10S7LA1) Low Temperature Application

Case Length	61.5"(2dr)	92.5"(3dr)	123"(4dr)
Physical Data			
Total Display Area in ft ²	21.74	32.61	43.48
Refrigerated Volume in ft ³	35.66	52.97	71.32
Shelf Depth <i>max</i>	21 5/8"	21 5/8"	21 5/8"
Electrical Data (115V 60Hz)			
Case Load	3.5	4.5	5.5
Electrical Data (208V 60Hz)			
Condensing Unit	3.8	5.0	8.18
MOCP (per phase) Amps	15	20	20
Energy Data			
THR in BTU/HR instantaneous	5459	8359	10782
THR in BTU/hr average	3412	5459	5800
Net Environmental Heating Effect (BTU/hr)	3070	4913	1618

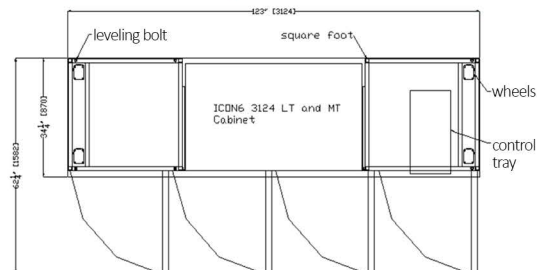
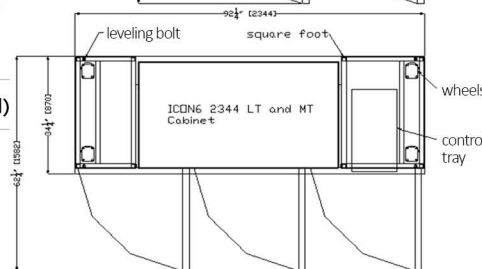


ICON6 Power Information 208V-1P (NEMA) 4 Wire (2-hots-1 neutral-1 ground)



features

- No drains, no pipework. plug and play!
- Low energy and heat rejection values
- Fixtures have similar pack-out as remote application
- Recessed wheels and leveling bolts
- Self-evaporative drain pan
- Condensing unit on pull out tray
- 2-3-4 Door Options
- Refrigerant: R448a
- Lighting: LED Mullion Lighting
- Shelving: 5 - 22"
- Ticket Rail: 1/4"



Conforming to UL471 & NSF7
DOE 2017 Compliant



www.prohvacr.com